



DEPARTMENT OF REGULATORY AND ECONOMIC RESOURCES (RER)  
BOARD AND CODE ADMINISTRATION DIVISION

**NOTICE OF ACCEPTANCE (NOA)**

MIAMI-DADE COUNTY  
PRODUCT CONTROL SECTION  
11805 SW 26 Street, Room 208  
Miami, Florida 33175-2474  
T (786) 315-2590 F (786) 315-2599  
[www.miamidade.gov/economy](http://www.miamidade.gov/economy)

**NewTechWood America, Inc.  
15912 International Plaza Dr.  
Houston, TX 77032**

**SCOPE:**

This NOA is being issued under the applicable rules and regulations governing the use of construction materials. The documentation submitted has been reviewed and accepted by Miami-Dade County RER-Product Control Section to be used in Miami Dade County and other areas where allowed by the Authority Having Jurisdiction (AHJ).

This NOA shall not be valid after the expiration date stated below. The Miami-Dade County Product Control Section (In Miami Dade County) and/or the AHJ (in areas other than Miami Dade County) reserve the right to have this product or material tested for quality assurance purposes. If this product or material fails to perform in the accepted manner, the manufacturer will incur the expense of such testing and the AHJ may immediately revoke, modify, or suspend the use of such product or material within their jurisdiction. RER reserves the right to revoke this acceptance if it is determined by Miami-Dade County Product Control Section that this product or material fails to meet the requirements of the applicable building code.

This product is approved as described herein and has been designed to comply with the Florida Building Code, including the High Velocity Hurricane Zone.

**DESCRIPTION: European Model UH46 Cladding Panels Composite Siding System**

**APPROVAL DOCUMENT:** Drawing No. **19-094**, titled "NewTechWood Decorative European Wall Cladding Panel UH46 System", sheets 1 through 28 of 28, dated 11/13/2019, prepared by Tilteco, Inc., signed and sealed by Walter A. Tillit, Jr., P.E. on 08/24/2021, bearing the Miami-Dade County Product Control approval stamp with the Notice of Acceptance number and approval date by the Miami-Dade County Product Control Section.

**MISSILE IMPACT RATING: Large and Small Missile Impact Resistant**

**LABELING:** A permanent label with the manufacturer's name or logo, manufacturing plant's city and state, model/series, and following statement: "Miami-Dade County Product Control Approved", is to be located on each panel.

**RENEWAL** of this NOA shall be considered after a renewal application has been filed and there has been no change in the applicable building code negatively affecting the performance of this product.

**TERMINATION** of this NOA will occur after the expiration date or if there has been a revision or change in the materials, use, and/or manufacture of the product or process. Misuse of this NOA as an endorsement of any product, for sales, advertising or any other purposes shall automatically terminate this NOA. Failure to comply with any section of this NOA shall be cause for termination and removal of NOA.

**ADVERTISEMENT:** The NOA number preceded by the words Miami-Dade County, Florida, and followed by the expiration date may be displayed in advertising literature. If any portion of the NOA is displayed, then it shall be done in its entirety.

**INSPECTION:** A copy of this entire NOA shall be provided to the user by the manufacturer or its distributors and shall be available for inspection at the job site at the request of the Building Official.

This NOA consists of this page 1 and evidence page E-1, as well as approval document mentioned above. The submitted documentation was reviewed by **Carlos M. Utrera, P.E.**



**NOA No. 21-0722.04**  
**Expiration Date: January 27, 2027**  
**Approval Date: January 27, 2022**  
**Page 1**

**NOTICE OF ACCEPTANCE: EVIDENCE SUBMITTED**

**A. DRAWINGS**

1. Drawing No. **19-094**, titled “NewTechWood Decorative European Wall Cladding Panel UH46 System”, sheets 1 through 28 of 28, dated 11/13/2019, prepared by Tilteco, Inc., signed and sealed by Walter A. Tillit, Jr., P.E. on 08/24/2021.

**B. TESTS**

1. Test reports on 1) Uniform Static Air Pressure Test, Loading per FBC TAS 202-94  
2) Cyclic Wind Pressure Loading per FBC, TAS 203-94  
along with marked-up drawings of the NewTechWood Cladding Panel European System, prepared by Blackwater Testing, Inc., Test Report No. **BT-NTW-19-002**, dated 07/02/2021, signed and sealed by Michael D. Caldwell, P.E.

**C. CALCULATIONS**

1. Anchor verification calculations prepared by Tilteco, Inc., dated 09/12/2018, signed and sealed by Walter A. Tillit, Jr., P.E on 07/08/2021.

**D. QUALITY ASSURANCE**

1. Miami-Dade Department of Regulatory and Economic Resources (RER)

**E. MATERIAL CERTIFICATIONS**

1. Test reports on Accelerated Weathering (Xenon Arc Light) per ASTM G155-05a and Tensile Strength per ASTM D638-10 of US09 Cladding Panel System, prepared by Blackwater Testing, Inc., Test Report No. **BT-NTW-19-001**, dated 05/07/2019, signed and sealed by Constantin Bortes, P.E.
2. Test report on Surface Burning Characteristics (Flame Spread and Smoke Developed) per ASTM E84-18 of NewTechWood All Weather Siding System, prepared by QAI Laboratories, Test Report No. **RJ6449F-1**, dated 08/30/2018, signed by Brian Ortega.
3. Test report on Plastics Rate of Burning per ASTM D635-14 of NewTechWood All Weather Siding System, prepared by QAI Laboratories, Test Report No. **RJ6449F-2**, dated 08/30/2018, signed by Brian Ortega
4. Test report on Ignition Temperature of Plastics per ASTM D1929-16 of NewTechWood All Weather Siding System, prepared by QAI Laboratories, Test Report No. **RJ6449F-3**, dated 08/31/2018, signed by Brian Ortega.

**F. STATEMENTS**

1. Statement letter of code conformance to the 7<sup>th</sup> edition (2020) of the FBC, issued by Tilteco, Inc., dated 07/08/2021, signed and sealed by Walter A. Tillit, Jr., P.E.
2. Statement letter of no financial interest, issued by Tilteco, Inc., dated 07/08/2021, signed and sealed by Walter A. Tillit, Jr., P.E.
3. Distributor agreement dated 10/26/2021.



---

**Carlos M. Utrera, P.E.**  
**Product Control Examiner**  
**NOA No. 21-0722.04**  
**Expiration Date: January 27, 2027**  
**Approval Date: January 27, 2022**

**GENERAL NOTES:**

1. THIS PRODUCT APPROVAL DOCUMENT (P.A.D.) FOR NEWTECHWOOD DECORATIVE EUROPEAN WALL CLADDING PANEL UH46 SYSTEM, INDICATED AND SPECIFIED ON THIS DRAWING, HAS BEEN VERIFIED FOR COMPLIANCE IN ACCORDANCE WITH THE 2020 (7th EDITION) OF THE FLORIDA BUILDING CODE. DESIGN WIND LOADS FOR EACH INSTALLATION SHALL BE DETERMINED AS PER SECTION 1620 OF THE ABOVE MENTIONED CODE, USING ASCE 7-16 STANDARD AND SHALL NOT EXCEED THE MAXIMUM (A.S.D.) DESIGN PRESSURE RATING INDICATED ON THIS SHEET.

IN ORDER TO VERIFY THE ABOVE CONDITION, ULTIMATE DESIGN WIND LOADS DETERMINED PER ASCE 7-16 SHALL BE FIRST REDUCED TO A.S.D. DESIGN WIND LOADS BY MULTIPLYING THEM BY 0.6 IN ORDER TO COMPARE THESE W/ MAX. (A.S.D.) DESIGN PRESSURE RATINGS INDICATED ON THIS SHEET.

IN ORDER TO VERIFY THAT COMPONENTS AND ANCHORS ON THIS P.A.D. AS TESTED WERE NOT OVER STRESSED, A 33% INCREASE IN ALLOWABLE STRESS FOR WIND LOADS WAS NOT USED IN THEIR ANALYSIS. A DURATION FACTOR CD=1.60 WAS USED FOR VERIFICATION OF FASTENERS IN WOOD PER NDS 2018.

NEWTECHWOOD DECORATIVE EUROPEAN WALL CLADDING PANEL UH46 PROFILES' ADEQUACY FOR WIND AND FATIGUE RESISTANCE HAS BEEN VERIFIED IN ACCORDANCE WITH SECTION 1626 OF THE ABOVE MENTIONED CODE AS PER BLACKWATER TESTING INC. REPORT #BT-NTW-19-002 PER TAS 202 & 203 PROTOCOLS, AND AS PER SUBMITTED STRUCTURAL CALCULATIONS, PERFORMED AS PER SECTION 1616 OF THE FLORIDA BUILDING CODE. SEE NOTE 8 BELOW FOR ADDITIONAL TESTING PERFORMED ON PRODUCT.

2. BUILDING WALL SYSTEM WHERE DECORATIVE EUROPEAN WALL CLADDING PANELS WILL BE INSTALLED SHALL BE DESIGNED BY A FLORIDA REGISTERED PROFESSIONAL ENGINEER OR ARCHITECT AND SHALL BE BUILT IN ACCORDANCE WITH THE FLORIDA BUILDING CODE FOR IMPACT, WIND & WATER RESISTANCE AS PER SECTIONS 1626.4(1), 1404.4, 1404.6 AND 1626.4(2), 1404.2 OF THE FLORIDA BUILDING CODE. SEE NOTES ON SHEET 28 FOR ADDED LIMITATIONS & CONDITIONS FOR WOOD FRAME WALLS.

3. **MAXIMUM A.S.D. DESIGN WIND PRESSURE RATING FOR THIS PRODUCT SHALL NOT EXCEED MAXIMUM VALUES PER SHEET 28.**

\* PROFILES TO BE CONTINUOUS MIN. OVER 3 SPANS. UH46 BOARDS MAY BE INSTALLED VERTICALLY OR HORIZONTALLY STRICTLY FOLLOWING THE DETAILS INDICATED ON THIS DRAWING.

4. COMPONENTS FOR THIS PRODUCT SHALL BE AS INDICATED ON SHEETS 2 & 3 OF THIS DRAWING.

5. SUBFRAME AND CORNER COMPONENTS PROVIDING SUPPORT TO NEWTECHWOOD DECORATIVE EUROPEAN WALL CLADDING PANEL UH46 SYSTEM MUST BE PROPERLY ANCHORED TO TRANSFER LOADS TO THE EXISTING STRUCTURAL WALL. SUBFRAME PROFILE MUST BE AS INDICATED ON BILL OF MATERIALS SHEETS 2 AND 3 AND SHALL BE SPACED AS PER DETAILS ON SHEETS 4 THRU 27.

6. THIS PRODUCT'S INSTALLATION SHALL COMPLY WITH ALL SPECS INDICATED IN THIS DRAWING PLUS ANY BUILDING AND ZONING REGULATIONS PROVIDED BY THE JURISDICTION WHERE PERMIT IS APPLIED TO.

7. (a) THIS P.A.D. PREPARED BY THIS ENGINEER IS GENERIC AND DOES NOT PROVIDE INFORMATION FOR A SITE SPECIFIC PROJECT: I.E. WHERE THE SITE CONDITIONS DEVIATE FROM THE P.A.D.

(b) CONTRACTOR TO BE RESPONSIBLE FOR THE SELECTION, PURCHASE AND INSTALLATION INCLUDING LIFE SAFETY OF THIS PRODUCT BASED ON THIS P.A.D. PROVIDED HE/SHE DOES NOT DEVIATE FROM THE CONDITIONS DETAILED IN THIS DOCUMENT. CONSTRUCTION SAFETY AT SITE IS THE CONTRACTOR'S RESPONSIBILITY.

(c) THIS P.A.D. WILL BE CONSIDERED INVALID IF MODIFIED.

(d) SITE SPECIFIC PROJECTS SHALL BE PREPARE BY A FLORIDA REGISTERED ENGINEER OR ARCHITECT WHICH WILL BE RESPONSIBLE FOR THE PROPER USE OF THE P.A.D.. PROFESSIONAL OF RECORD, ACTING AS A DELEGATED ENGINEER TO THE P.A.D. ENGINEER SHALL SUBMIT TO THIS LATTER THE SITE SPECIFIC DRAWINGS FOR REVIEW.

(e) ORIGINAL P.A.D. SHALL BEAR THE DATE AND ORIGINAL SEAL AND SIGNATURE OF THE PROFESSIONAL ENGINEER THAT PREPARED IT.

8. DECORATIVE EUROPEAN WALL CLADDING PANEL UH46 SYSTEM PROFILES ARE MADE OF A TECHNOLOGICAL WOOD MATERIAL COMPOSED OF THE COMBINATION OF A PVC COMPONENT AND WOOD FIBERS TO CREATE A MATERIAL WITH A DIMENSIONAL STABILITY THAT IS MUCH GREATER THAN BOTH TRADITIONAL WPC AND WOOD ITSELF.

PANEL HAS NO PROBLEM RESISTING WATER BECAUSE 80% OF THE WOOD FIBERS ARE COATED BY THE POLYMERIC COMPONENT (PVC AND OTHER ELEMENTS IN THE FORMULA) AND ITS ALSO COATED WITH A CAP LAYER MADE OF POLYETHYLENE BASED COMPOUNDED POLYMER W/58 HARDNESS, PROVIDED BY NEWTECHWOOD AMERICA, INC. CONTAINS NO TOXIC MATERIALS, IS LEED COMPLAINT (SUSTAINABILITY) AND IS NOT SUBJECT TO THE DESTRUCTIVE ACTION OF WOODWORM, FUNGI AND PARASITES. THERMAL EXPANSION MUST BE CONSIDERED DEPENDING ON PANEL LENGTH BY USING COEFFICIENT OF THERMAL EXPANSION LISTED BELOW. PANEL MATERIAL FIRE BURNING CHARACTERISTICS AND WEATHERING HAVE BEEN VERIFIED AS FOLLOWS:

QUALIFICATION	TEST METHOD	TEST RESULT
DENSITY	ASTM D 2395	1.14 gr/cm <sup>3</sup> (71.1lb/ft <sup>3</sup> )
BENDING STRENGTH	ASTM D 4761	3,000 psi
MODULUS OF ELASTICITY	ASTM D 4761	493,000 psi
COEFFICIENT OF LINEAR THERMAL EXPANSION	ASTM D 696	35.6 x10 <sup>-6</sup> mm/mm °C
WATER ABSORPTION AND HUMIDITY	ASTM D 1073	LITTLE UP TO NO WATER ABSORPTION. (0.11 %) (ONLY SURFACE MOISTURING)
FLAME SPREAD	ASTM E 84	80 (CLASS C)*
SMOKE INDEX	ASTM E 84	300 (CLASS C)*
RATE, EXTENT & TIME OF BURNING	ASTM D 635	CC1 *
SPONTANEOUS SELF/IGNITION TEMP.	ASTM D 1929	820° F *
FLASH IGNITION TEST	ASTM D 1929	800° F *
WEATHERING FOR OUTDOOR EXPOSURE	ASTM G 155	9.1% **

\* TEST # RJ6449F-1, RJ6449F-2 & RJ6449F-3 BY QAI LAB. (ON FILE AT MIAMI DADE COUNTY)

\*\* PER BLACKWATER TESTING INC. REPORT # BT-NTW-19-001 (ON FILE AT MIAMI DADE COUNTY)

9. PRODUCT MANUFACTURE'S LABEL SHALL BE PLACED ON A READILY VISIBLE AT PLANK LOCATION IN ACCORDANCE WITH SECTION 1703.5 OF THE FLORIDA BUILDING CODE.

**THIS DRAWING SHALL ONLY BE USED TO OBTAIN PERMITS IN THE STATE OF FLORIDA**

FLORIDA BUILDING CODE (HIGH VELOCITY HURRICANE ZONE)

NEWTECHWOOD DECORATIVE EUROPEAN WALL CLADDING PANEL UH46 SYSTEM

NEWTECHWOOD AMERICA INC.  
15912 INTERNATIONAL PLAZA DRIVE,  
HOUSTON, TEXAS 77032

©2021 TILTECO, INC.

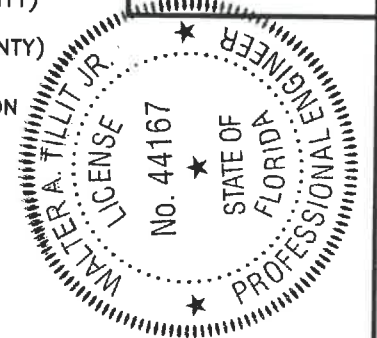
**TILTECO INC.**  
TILLIT TESTING & ENGINEERING COMPANY  
6355 N.W. 38th St., Ste. 305, Virginia Gardens, FL 33166  
Phone: (305) 971-1530 Fax: (305) 971-1531

WALTER A. TILLIT JR. P.E.  
FLORIDA Lic. # 44167

M.P. DRAWN BY: 11/15/19  
DATE: 19-094  
DRAWING No. SHEET 1 OF 28

*Walter A. Tillit Jr.*  
8/24/2022

P.E. SEAL/SIGNATURE/DATE



**PRODUCT APPROVED**  
as complying with the Florida Building Code  
NOA-No. 21-0722.04  
Approval Date 01/27/2022  
By *[Signature]*  
Miami-Dade Product Control



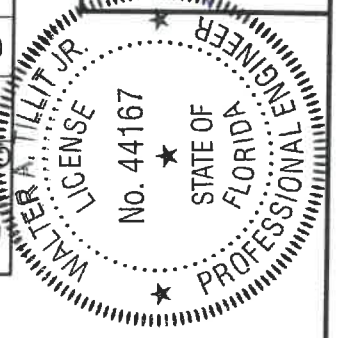
## BILL OF MATERIALS

COMPONENT No.	PART #	DESCRIPTION	DIMENSIONS	MATERIAL	MANUFACTURER	NOTES
①	AW02	STARTER CLIP	SEE COMPONENT DETAIL	6063-T5 ALLOY	NEWTECHWOOD	USE AT ENDS AS APPLICABLE
②A	-	FLAT HEAD WOOD SCREW	#8-18 x 3/4"	AISI 304 STAINLESS STEEL	NEWTECHWOOD	TO FIX ⑤ TO ⑨A
②A1	-	FLAT HEAD WOOD SCREW	#8-18 x 1 1/4"	AISI 304 STAINLESS STEEL	NEWTECHWOOD	TO FIX ③ TO ⑨A THRU ⑫
②B	-	FLAT HEAD SELF DRILLING SCREW	#8-18 x 1/2"	AISI 410 STAINLESS STEEL	NEWTECHWOOD	TO FIX ⑤ TO ⑨B
②B1	-	FLAT HEAD SELF DRILLING SCREW	#8-18 x 1"	AISI 410 STAINLESS STEEL	NEWTECHWOOD	TO FIX ③ TO ⑨B THRU ⑫
③*	UH-46	EUROPEAN SIDING BOARD	SEE COMPONENT DETAIL	COMPOSITE PLASTIC WOOD NEWTECHWOOD	NEWTECHWOOD	CLADDING SYSTEM
⑤	AW08	MOUNTING CLIP	SEE COMPONENT DETAIL	6063-T5 ALLOY	NEWTECHWOOD	USE IN BETWEEN ③
⑦	T-7	SPACER	SEE COMPONENT DETAIL	RUBBER	NEWTECHWOOD	USE AT END, OPTIONAL TO ⑫, CONNECT TO ⑨A, ⑨B W/ ②A OR ②B RESPECTIVELY.
⑧*	UH-50	F-TRIM COVER	SEE COMPONENT DETAIL	COMPOSITE PLASTIC WOOD NEWTECHWOOD	NEWTECHWOOD	USE AT END, OPTIONAL TO ⑫, CONNECT TO ⑨A, 9B W/ ②A OR ②B
⑨A	-	WOOD SUBFRAME	1.5" x 0.75" x CONTINUOUS.	P.T. SOUTHERN PINE #2(G=0.55)	NEWTECHWOOD	SUPPORT FOR ③ FIXED TO EXISTING STRUCTURE W/ ⑩
⑨A1	-	WOOD SUBFRAME	2.00" x 0.75" x CONTINUOUS.	P.T. SOUTHERN PINE #2(G=0.55)	NEWTECHWOOD	SUPPORT FOR ⑧ FIXED TO EXISTING STRUCTURE W/ ⑩
⑨A2	-	L WOOD CORNER FOR ⑪	SEE COMPONENT DETAIL	P.T. SOUTHERN PINE #2(G=0.55)	NEWTECHWOOD	SUPPORT FOR ⑪ FIXED TO EXISTING STRUCTURE W/ ⑩
⑨B	-	TUBE SUBFRAME	1.00" x 0.50" x 0.059" THK. x CONT.	6063-T5 ALLOY	NEWTECHWOOD	SUPPORT FOR ③ FIXED TO EXISTING STRUCTURE W/ ⑩
⑨B1	-	PLATE SUBFRAME	2.00" x 0.50" x CONTINUOUS.	6063-T5 ALLOY	NEWTECHWOOD	SUPPORT FOR ⑪ FIXED TO EXISTING STRUCTURE W/ ⑩
⑨B2	-	METAL PLATES CORNER FOR ⑪	SEE COMPONENT DETAIL	6061-T6 ALLOY	NEWTECHWOOD	SUPPORT FOR ⑪ FIXED TO EXISTING STRUCTURE W/ ⑩
⑩	-	FASTENERS FOR ⑨A, ⑨A1, ⑨A2 & ⑨B, ⑨B1, ⑨B2	1/4"Ø FLAT HEAD ULTRACONS	AISI 410 STAINLESS STEEL	ELCO CONST. PROD.	SEE ANCHOR SCHEDULES AND SPEC'S ON SHEET 28
⑪*	UH-51	OUTSIDE CORNER TRIM	SEE COMPONENT DETAIL	COMPOSITE PLASTIC WOOD NEWTECHWOOD	NEWTECHWOOD	CLADDING SYSTEM USE AT EXTERIOR CORNERS. FIX TO ⑨A OR ⑨B W/ ②A OR ②B
⑫	-	WOOD SHIM	SEE COMPONENT DETAIL	P.T. SOUTHERN PINE #2(G=0.55)	NEWTECHWOOD	USE TO FIX ③ TO WALL THRU ⑨A, ⑨B W/ ⑩ & ⑫

FLORIDA BUILDING CODE (HIGH VELOCITY HURRICANE ZONE)  
 NEWTECHWOOD DECORATIVE EUROPEAN WALL CLADDING PANEL UH46 SYSTEM  
 NEWTECHWOOD AMERICA INC.  
 15912 INTERNATIONAL PLAZA DRIVE,  
 HOUSTON, TEXAS 77032

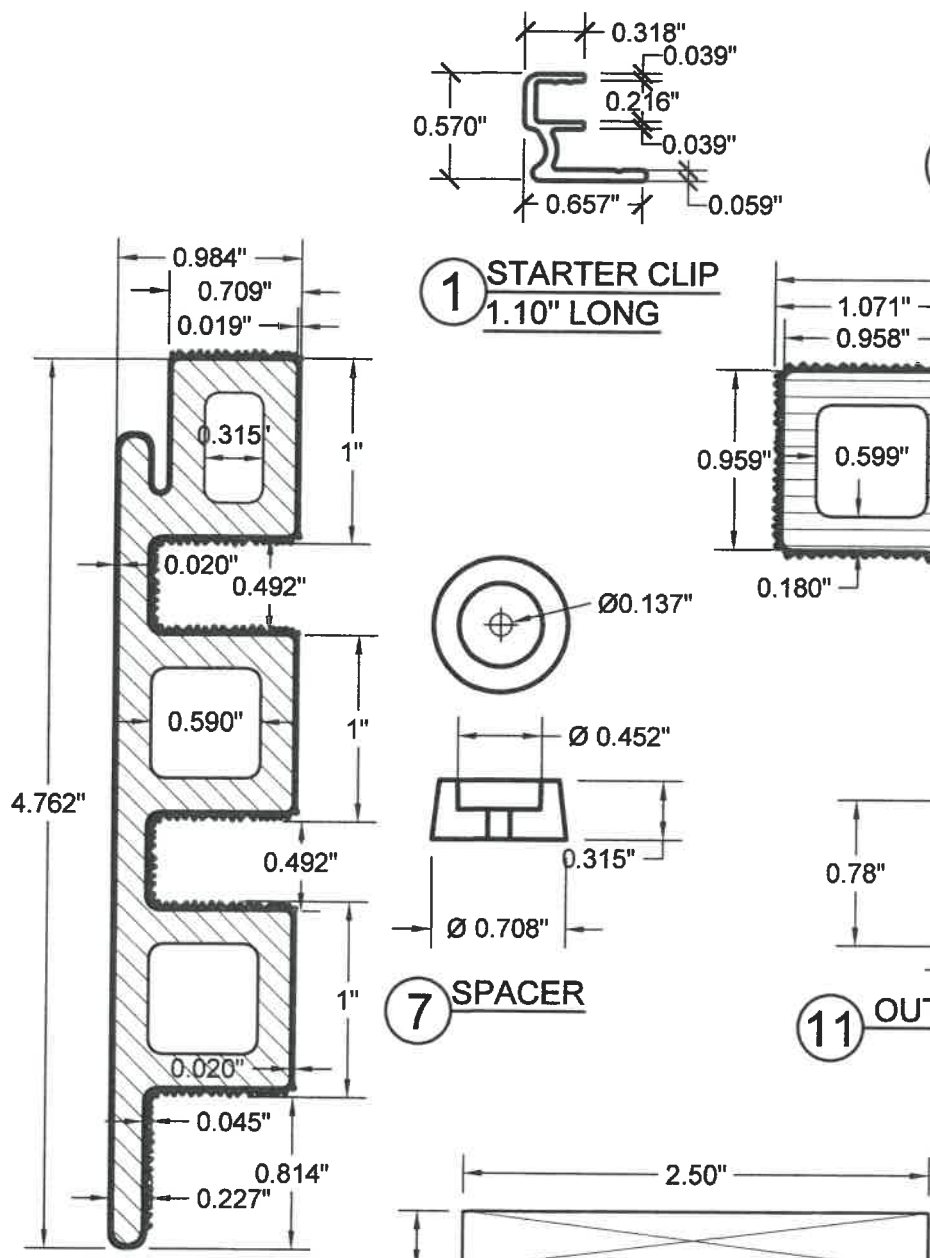
©2021 TILECO, INC.  
**TILECO INC.**  
 TILLIT TESTING & ENGINEERING COMPANY  
 6335 N.W. 38th St., Ste. 302, Virginia Gardens, FL 33186  
 Phone: (305) 971-1500 Fax: (305) 971-1531  
 CA-0006719  
 WALTER A. TILLIT JR., P.E.  
 FLORIDA LIC. # 44167

P.E. SEAL/SIGNATURE/DATE  
*Walter A. Tillit Jr.*  
 5/24/2021

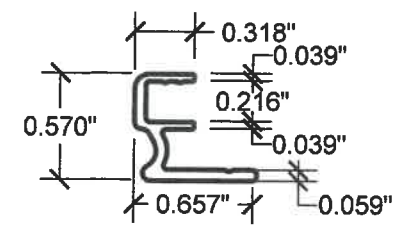


**PRODUCT APPROVED**  
 as complying with the Florida  
 Building Code  
 NOA-No. 21-0722.04  
 Approval Date 01/27/2022  
 By *R. Torres*  
 Miami-Dade Product Control

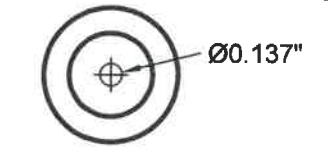
M.P. DRAWN BY:  
 DATE: 11/13/19  
 DRAWING No. 19-094  
 SHEET 2 OF 28



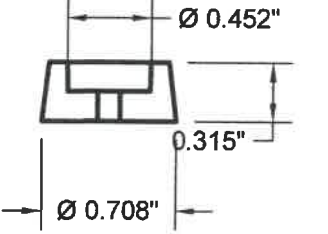
**3** EUROPEAN SIDING BOARD



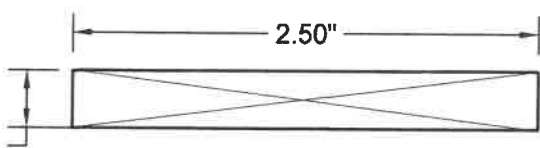
**1** STARTER CLIP 1.10" LONG



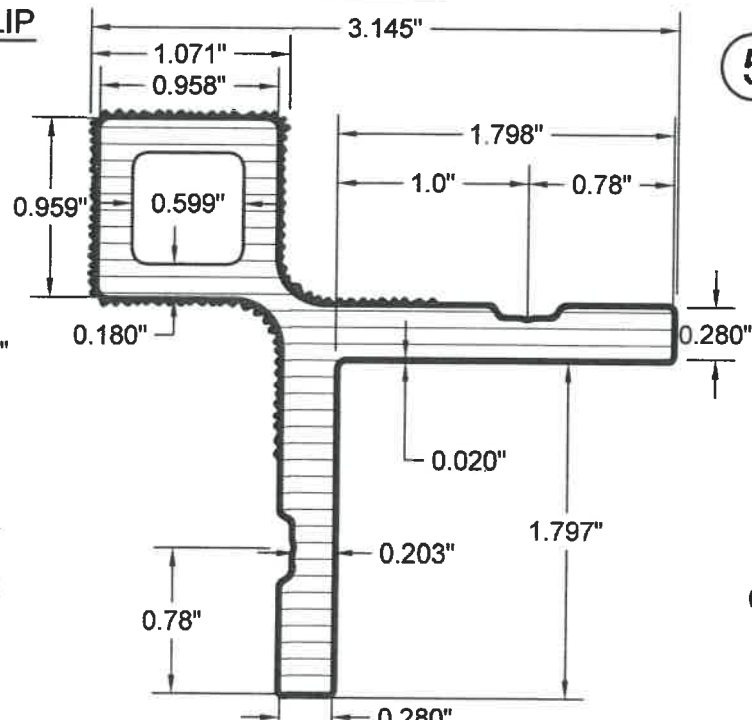
**7** SPACER



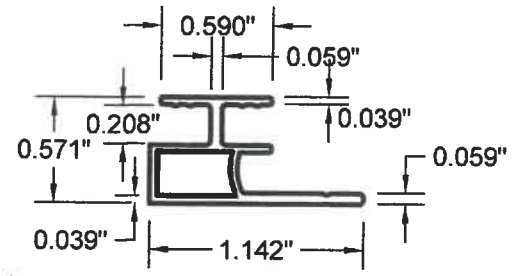
**12** WOOD SHIM 1" LONG



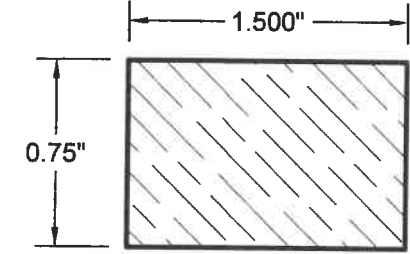
**2B** F.H. SELF DRILLING SCREW



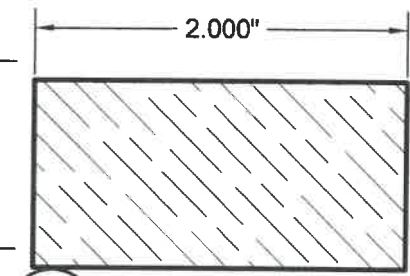
**11** OUTSIDE CORNER TRIM



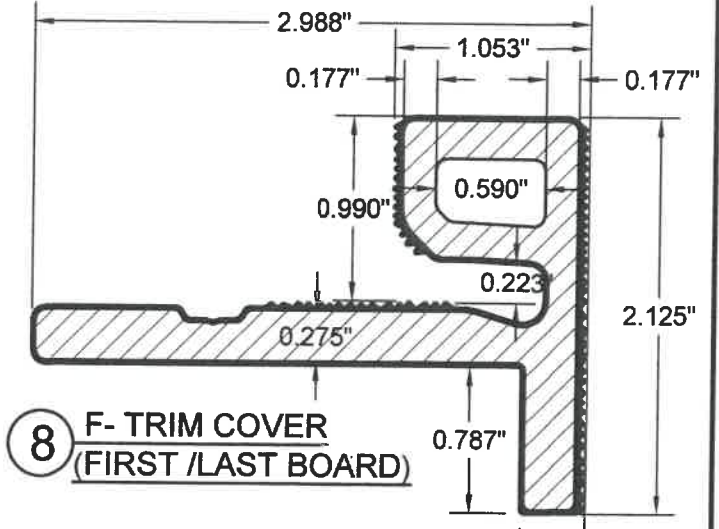
**5** MOUNTING CLIP 1.10" LONG



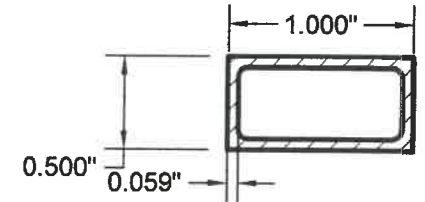
**9A** WOOD SUBFRAME



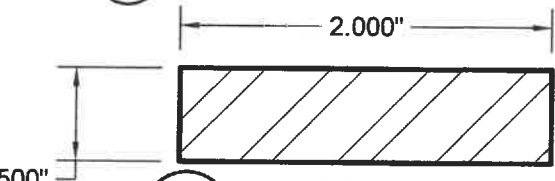
**9A1** WOOD SUBFRAME



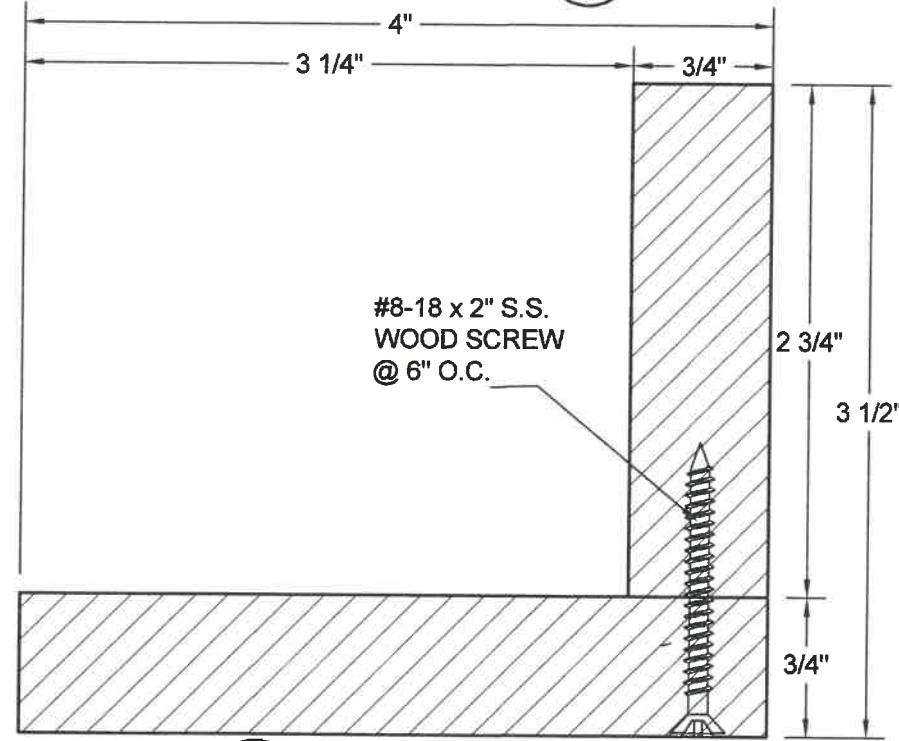
**8** F-TRIM COVER (FIRST /LAST BOARD)



**9B** TUBE SUBFRAME

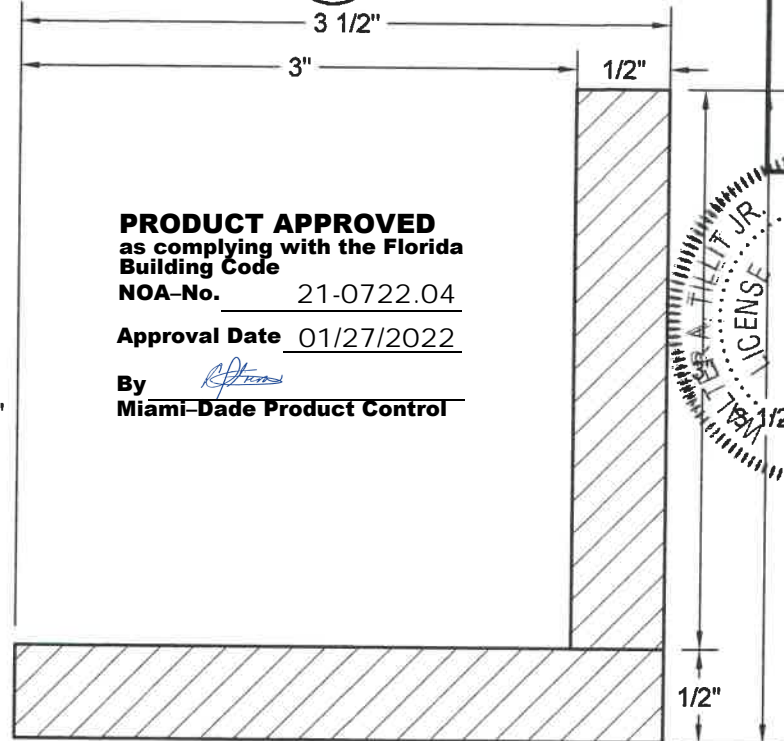


**9B1** PLATE SUBFRAME



**9A2** L WOOD CORNER FOR (11)

#8-18 x 2" S.S. WOOD SCREW @ 6" O.C.



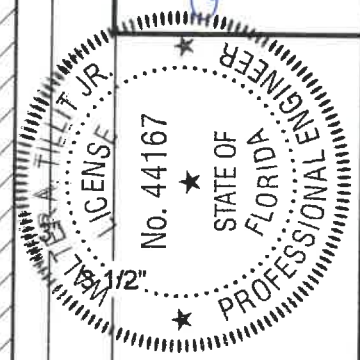
**9B2** L METAL PLATES CORNER FOR (11)

\* COATING IS A CAP LAYER MADE OF POLYETHYLENE BASED COMPOUNDED POLYMER W/ 58 HARDNESS PROVIDED BY NEWTECHWOOD AMERICA INC.

**COMPONENTS**

SCALE: 1"=0'-1"

**PRODUCT APPROVED**  
as complying with the Florida Building Code  
NOA-No. 21-0722.04  
Approval Date 01/27/2022  
By *[Signature]*  
Miami-Dade Product Control



FLORIDA BUILDING CODE (HIGH VELOCITY HURRICANE ZONE)  
NEWTECHWOOD DECORATIVE EUROPEAN WALL CLADDING PANEL UH46 SYSTEM

©2021 TILECO, INC.  
**TILECO inc.**  
TILIT TESTING & ENGINEERING COMPANY  
6355 N.W. 36th St., 2nd Floor, Virginia Gardens, FL 33196  
Phone: (305)971-1530 Fax: (305)971-1531  
WALTER A. TILIT, Jr., P.E.  
FLORIDA Lic. # 44167

M.P. DRAWN BY: 11/13/19 DATE: 19-094 DRAWING No. SHEET 3 OF 28

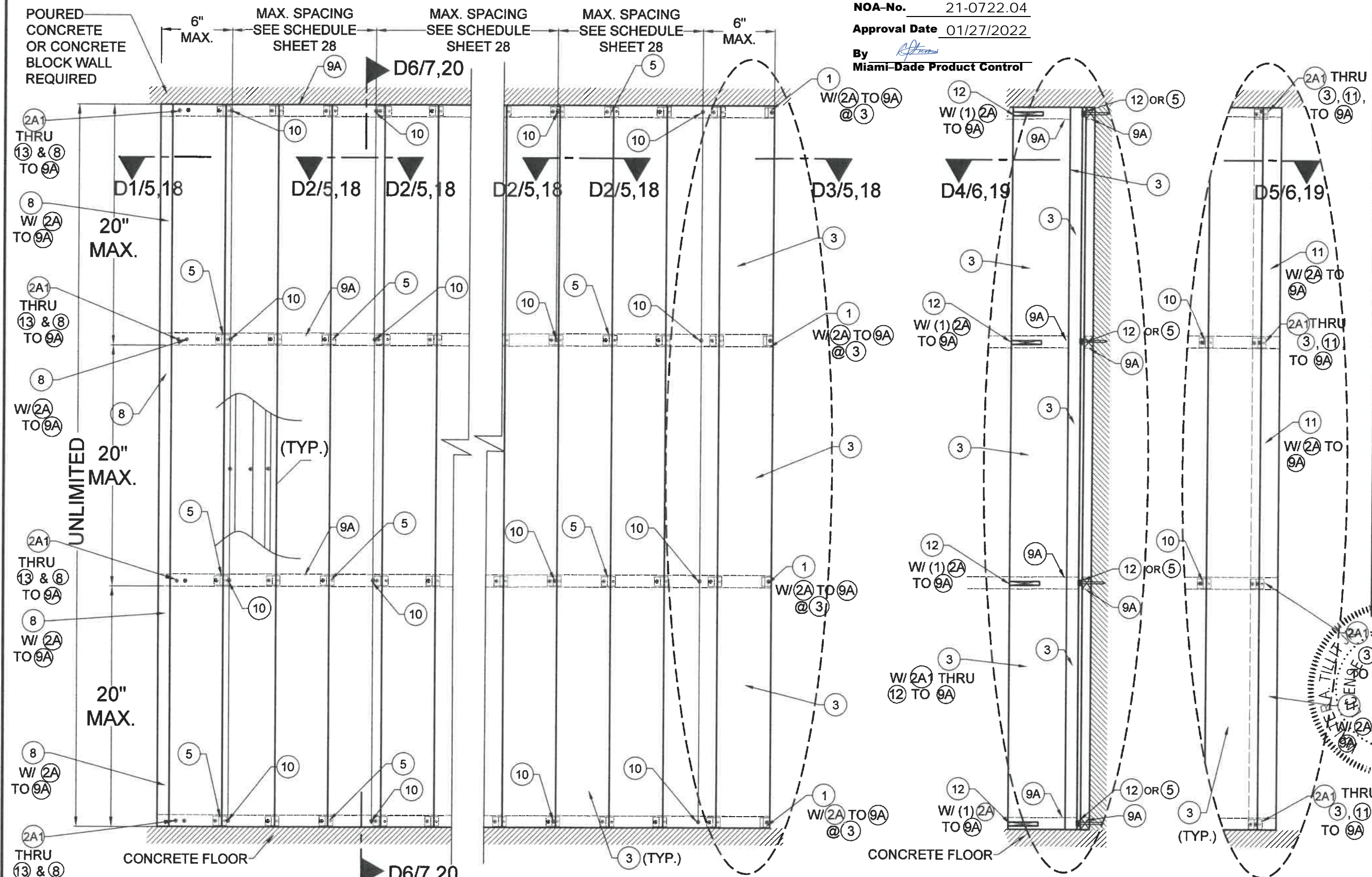
NEWTECHWOOD AMERICA INC.  
15912 INTERNATIONAL PLAZA DRIVE,  
HOUSTON, TEXAS 77032

*[Signature]*  
P.E. SEAL/SIGNATURE/DATE

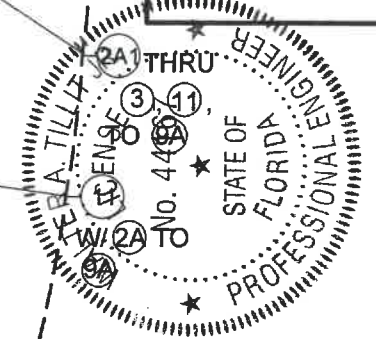


**PRODUCT APPROVED**  
 as complying with the Florida  
 Building Code  
 NOA-No. 21-0722.04  
 Approval Date 01/27/2022  
 By *[Signature]*  
 Miami-Dade Product Control

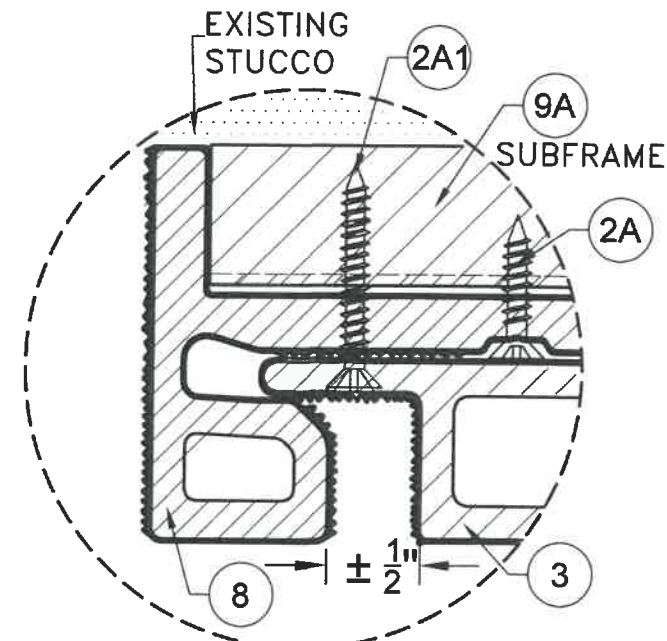
FLORIDA BUILDING CODE (HIGH VELOCITY HURRICANE ZONE)	
NEWTECHWOOD DECORATIVE EUROPEAN WALL CLADDING PANEL UH46 SYSTEM	NEWTECHWOOD AMERICA INC. 15912 INTERNATIONAL PLAZA DRIVE, HOUSTON, TEXAS 77032
TILECO INC. ©2021 TILECO, INC.	TILECO INC. TILLIT TESTING & ENGINEERING COMPANY 6335 N.W. 38th St., Suite 305, Virginia Gardens, FL 33166 Phone: (305) 971-1530 Fax: (305) 971-1531 WALTER TILLIT, P.E. FLORIDA Lic. # 44167
I.P.F. DRAWN BY: 11/15/19 DATE: 19-094 DRAWING No. SHEET 4 OF 28	REV. NO. 1 DESCRIPTION DATE REV. NO. 2 DESCRIPTION DATE REV. NO. 3 DESCRIPTION DATE



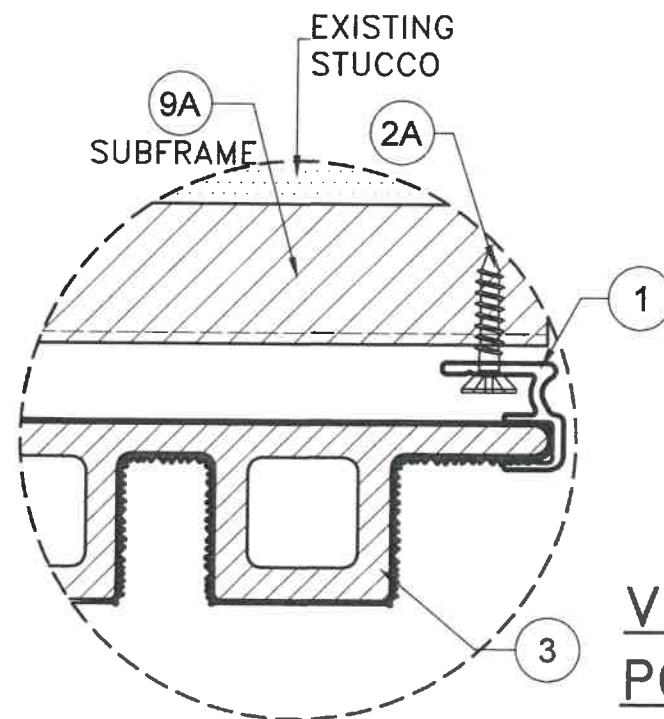
**VERTICAL INSTALLATION EXTERIOR ELEVATION W/9A**    **CORNER W/3 & 9A**    **INT. CORNER W/3 & 9A**    **EXT. CORNER W/11 & 9A**  
**POURED CONCRETE, CONCRETE BLOCK WALL**  
**SUBSTRATE & WOOD FRAME BUILDINGS**



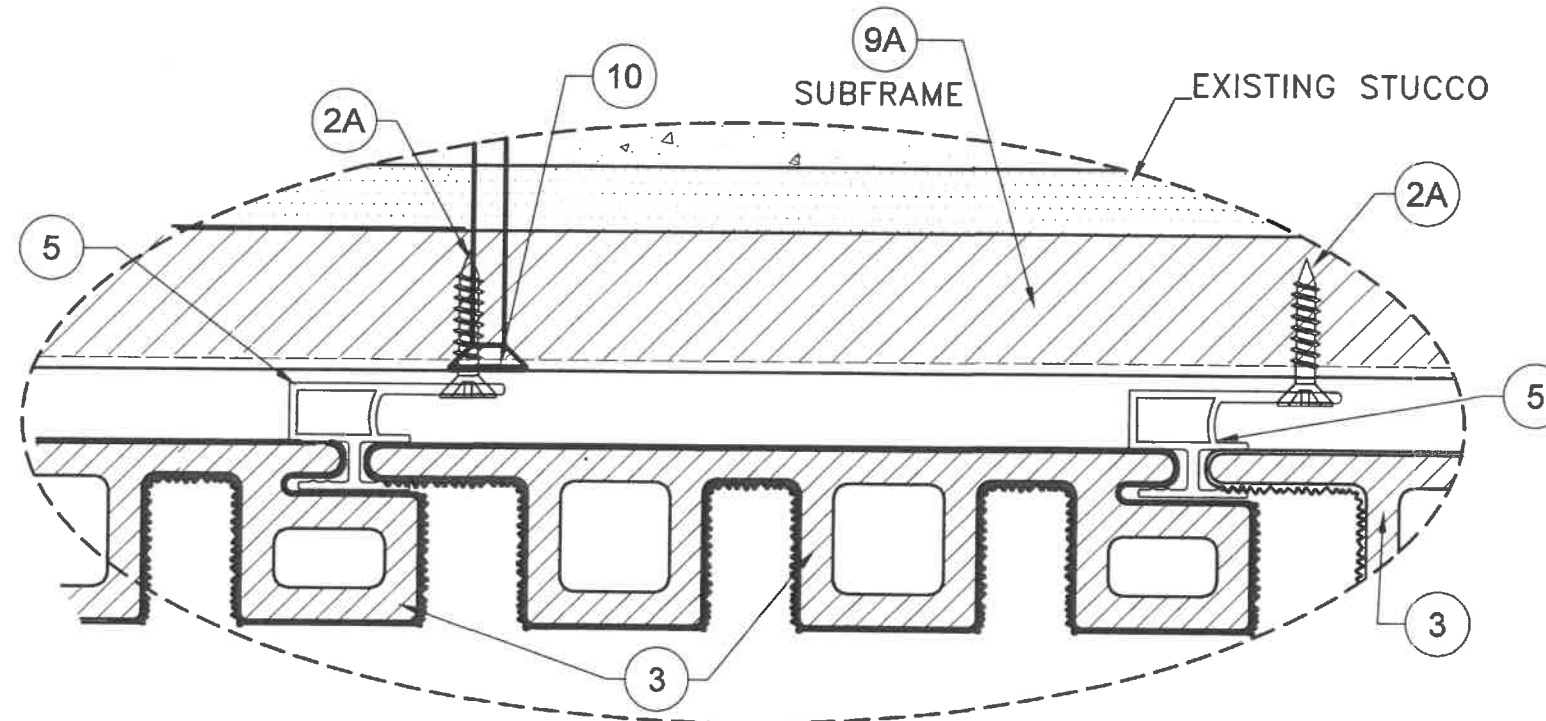
*[Handwritten Signature]*  
 P.E. SEAL/SIGNATURE/DATE



**DETAIL 1**  
N.T.S.



**DETAIL 3**  
N.T.S.



**DETAIL 2**  
N.T.S.

**VERTICAL INSTALLATION W/ 9A : ENDS**  
**POURED CONCRETE OR CONCRETE BLOCK WALL SUBSTRATE**

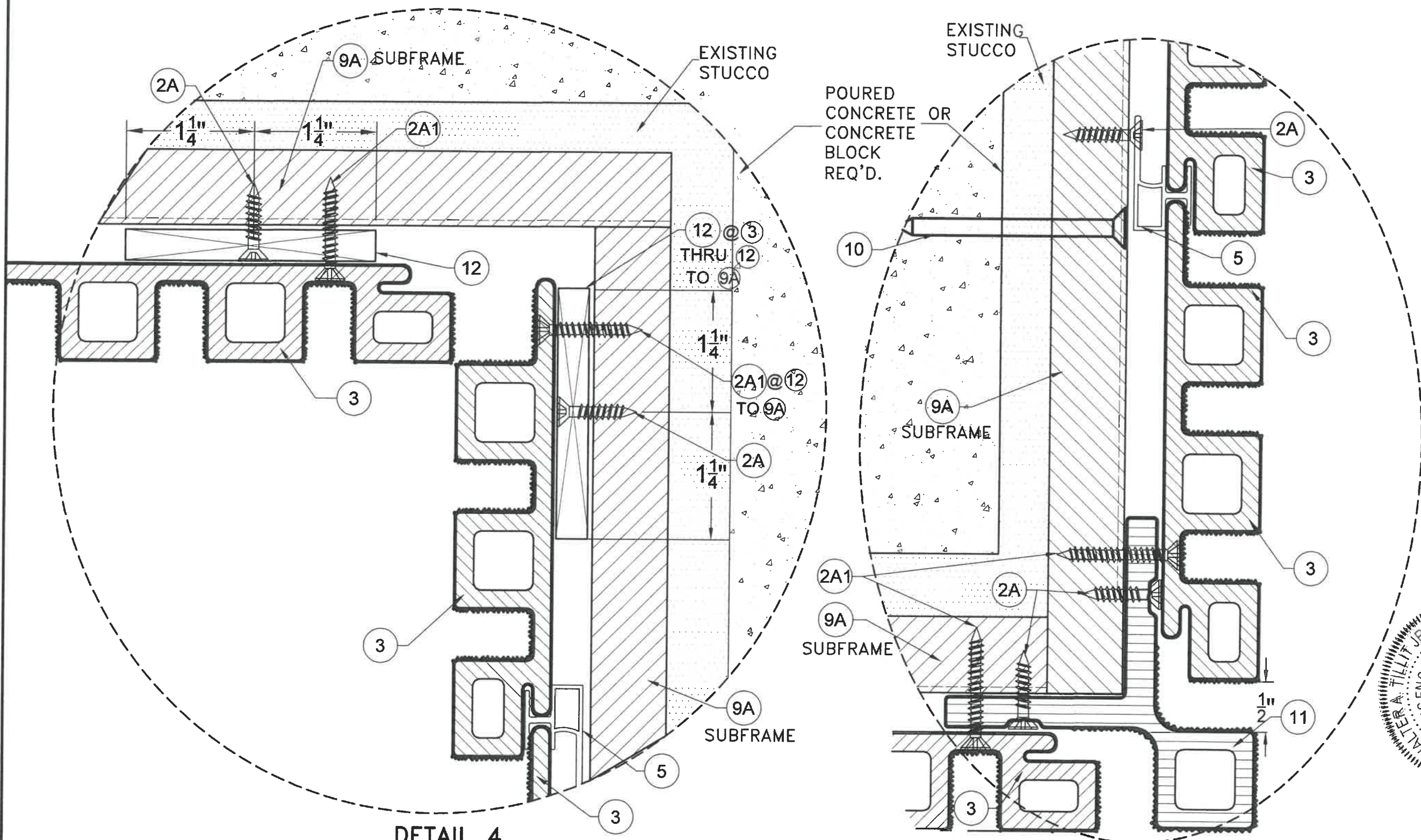
M.P. DRAWN BY:		11/13/19 DATE:	
19-094 DRAWING NO.		SHEET 5 OF 28	
FLORIDA BUILDING CODE (HIGH VELOCITY HURRICANE ZONE)			
NEWTechWOOD DECORATIVE EUROPEAN WALL CLADDING PANEL UH46 SYSTEM			
NEWTechWOOD AMERICA INC. 15912 INTERNATIONAL PLAZA DRIVE, HOUSTON, TEXAS 77032			
REV. NO.	DESCRIPTION	DATE	BY
1			

©2021 TILTECO, INC.  
**TILECO INC.**  
TILIT TESTING & ENGINEERING COMPANY  
6335 N.W. 36th St., Ste. 305, Virginia Gardens, Ft. Lauderdale, FL 33316  
Phone: 754-569-7119, Fax: 754-569-7151  
WALTER A. TILLIT, JR., P.E.  
FLORIDA Lic. # 44167

WALTER A. TILLIT, JR.  
No. 44167  
STATE OF FLORIDA  
PROFESSIONAL ENGINEER  
SCAL/SIGNATURE/DATE  
11/27/2021

**PRODUCT APPROVED**  
as complying with the Florida  
Building Code  
NOA-No. 21-0722.04  
Approval Date 01/27/2022  
By *[Signature]*  
Miami-Dade Product Control





**DETAIL 4**  
N.T.S.

**DETAIL 5**  
N.T.S.

**VERTICAL INSTALLATION W/ 9A INTERIOR & EXTERIOR CORNER  
POURED CONCRETE OR CONCRETE BLOCK WALL SUBSTRATE**

M.P. DRAWN BY: 11/13/19		DATE: 19-094	
DRAWING NO. 19-094		DRAWING No. SHEET 6 OF 28	
FLORIDA BUILDING CODE (HIGH VELOCITY HURRICANE ZONE) <b>NEUTECHWOOD DECORATIVE EUROPEAN WALL CLADDING PANEL UH46 SYSTEM</b> <b>NEWTECHWOOD AMERICA INC.</b> 15912 INTERNATIONAL PLAZA DRIVE, HOUSTON, TEXAS 77032			
REV. NO.	DESCRIPTION	DATE	BY
1			
2			
3			

©2021 TILTECO, INC.

**TILECO INC.**

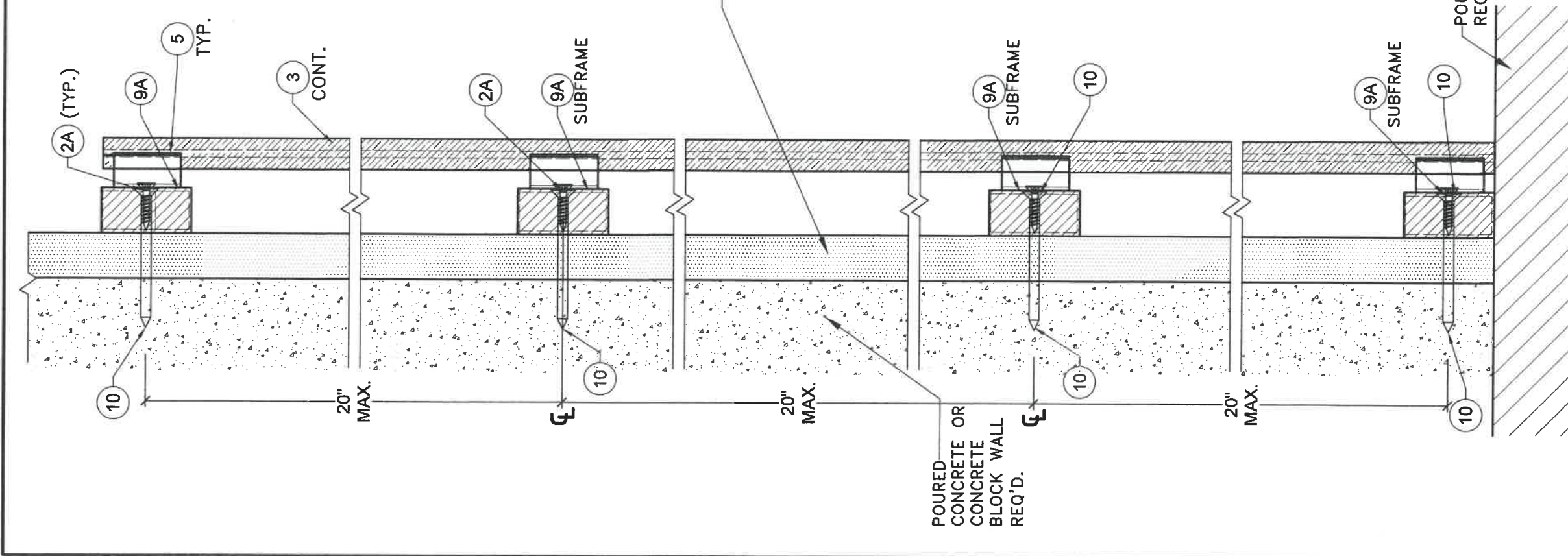
TILLIT TESTING & ENGINEERING COMPANY  
 6355 N.W. 36th St., Ste. 205, Virginia Gardens, FL 33166  
 Phone: (305)971-1530 Fax: (305)971-1531  
 WALTER TILLIT JR., P.E.  
 FLORIDA Lic. # 44167

*Walter Tillit Jr.*

WALTER TILLIT JR.  
 LICENSE  
 No. 44167  
 STATE OF  
 FLORIDA  
 PROFESSIONAL ENGINEER  
 P.E. SEAL/SIGNATURE/DATE

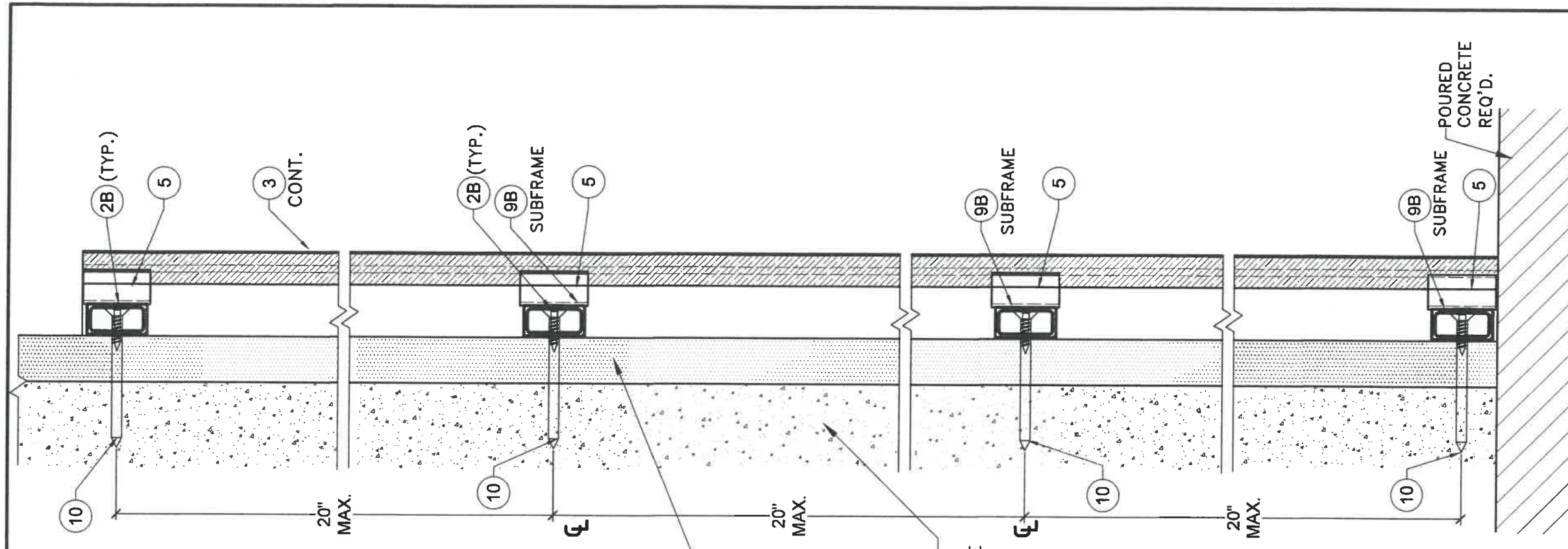
**PRODUCT APPROVED**  
 as complying with the Florida  
 Building Code  
 NOA-No. 21-0722.04  
 Approval Date 01/27/2022  
 By *R. Torres*  
 Miami-Dade Product Control





**DETAIL 6**

**VERTICAL INSTALLATION W/ 9A**  
**POURED CONCRETE OR CONCRETE BLOCK WALL SUBSTRATE**  
 N.T.S.



**DETAIL 7**

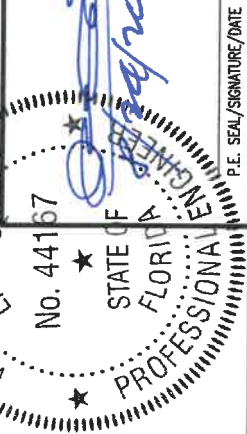
**VERTICAL INSTALLATION W/ 9B**  
**POURED CONCRETE OR CONCRETE BLOCK WALL SUBSTRATE**  
 N.T.S.

POURED CONCRETE OR CONCRETE BLOCK WALL REQ'D.

**PRODUCT APPROVED**  
 as complying with the Florida Building Code  
 NOA-No. 21-0722.04  
 Approval Date 01/27/2022  
 By [Signature]  
 Miami-Dade Product Control

FINISHED STUCCO

POURED CONCRETE REQUIRED



©2021 TILECO, INC.  
**TILECO inc.**  
 TILTIT TESTING & ENGINEERING COMPANY  
 6335 N.W. 38th St., Ste. 205, VEROBEA GARDENS, FL 33106  
 Phone : (305)971-1550 Fax : (305)971-1531  
 C#-0006719 P.E.  
 WALTER A. LUTJES # 44167  
 FLORIDA Lic. # 44167

FLORIDA BUILDING CODE (HIGH VELOCITY HURRICANE ZONE)  
**NEUTECHWOOD DECORATIVE EUROPEAN WALL CLADDING PANEL UH46 SYSTEM**  
 M.P. DRAWN BY: 11/13/19  
 DATE: 19-094  
 DRAWING No. SHEET 7 OF 28

**NEUTECHWOOD AMERICA INC.**  
 15912 INTERNATIONAL PLAZA DRIVE,  
 HOUSTON, TEXAS 77032

REV. NO.	DESCRIPTION	DATE	REV. NO.	DESCRIPTION	DATE
1			1		
2			2		
3			3		



**PRODUCT APPROVED**  
 as complying with the Florida  
 Building Code  
 NOA-No. 21-0722.04

Approval Date 01/27/2022

By *[Signature]*  
 Miami-Dade Product Control

FLORIDA BUILDING CODE (HIGH VELOCITY HURRICANE ZONE)

NEWTECHWOOD DECORATIVE EUROPEAN WALL GLASSING PANEL UH46 SYSTEM

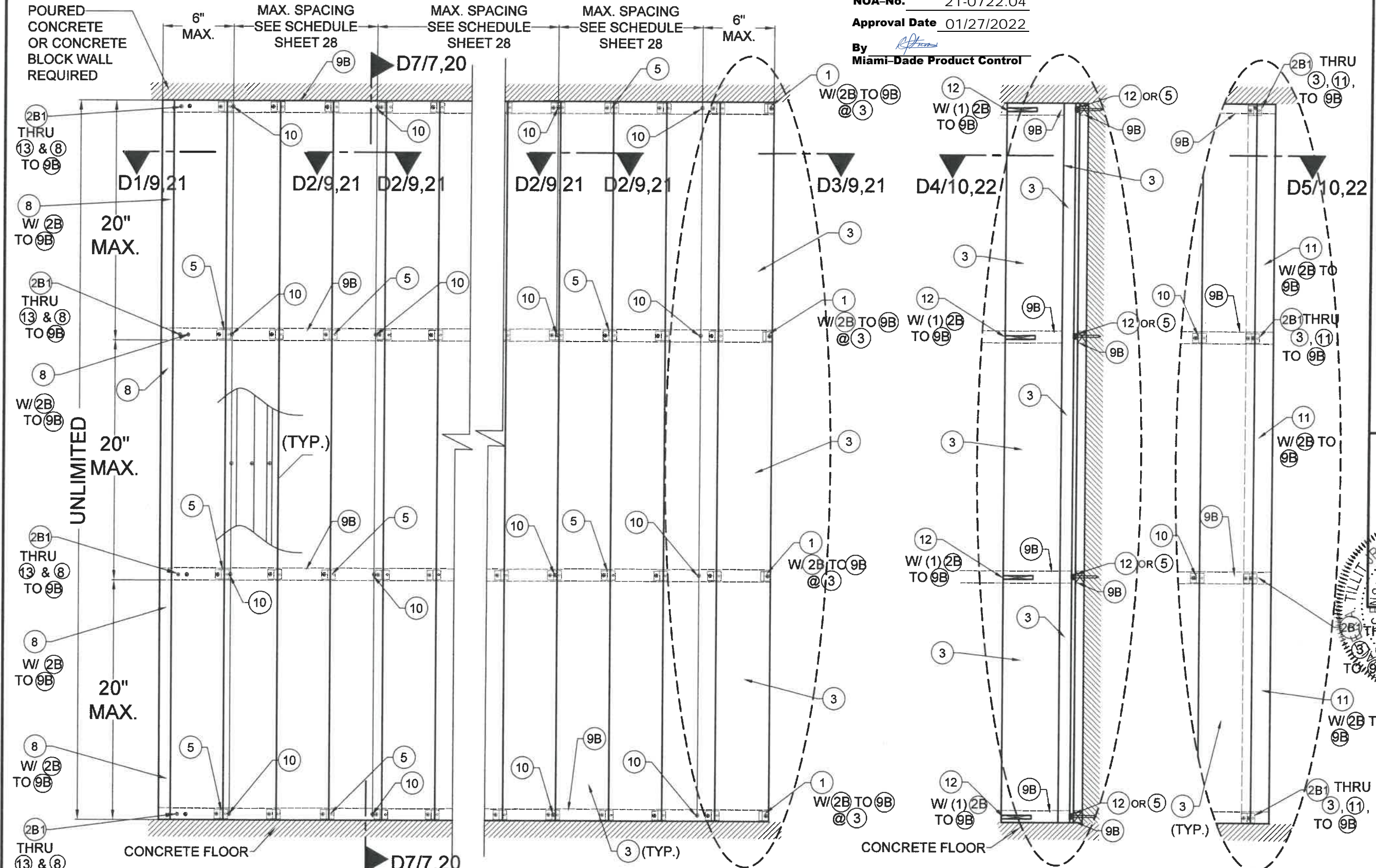
NEWTECHWOOD AMERICA INC.  
 15912 INTERNATIONAL PLAZA DRIVE,  
 HOUSTON, TEXAS 77032

©2021 TILTECO, INC.

**TILTECO INC.**  
 TILIT TESTING & ENGINEERING COMPANY  
 6535 N.W. 36th St., Ste. 205, WIRMIANA WARDENS, FL 33166  
 Phone: (305)871-1500 Fax: (305)871-1531

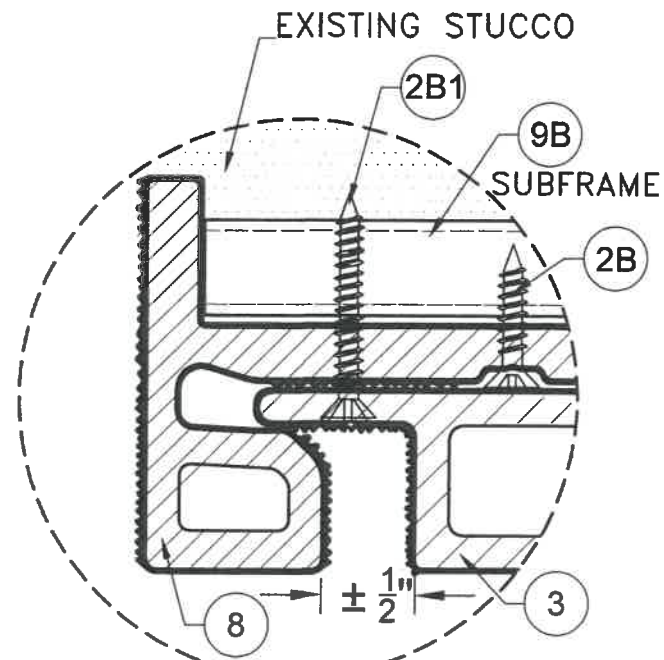
WALTER C. TILLEY, P.E.  
 FLORIDA Lic. # 44167

M.P.	11/13/19
DRAWN BY:	DATE:
19-094	
DRAWING NO.	
SHEET 8 OF 28	

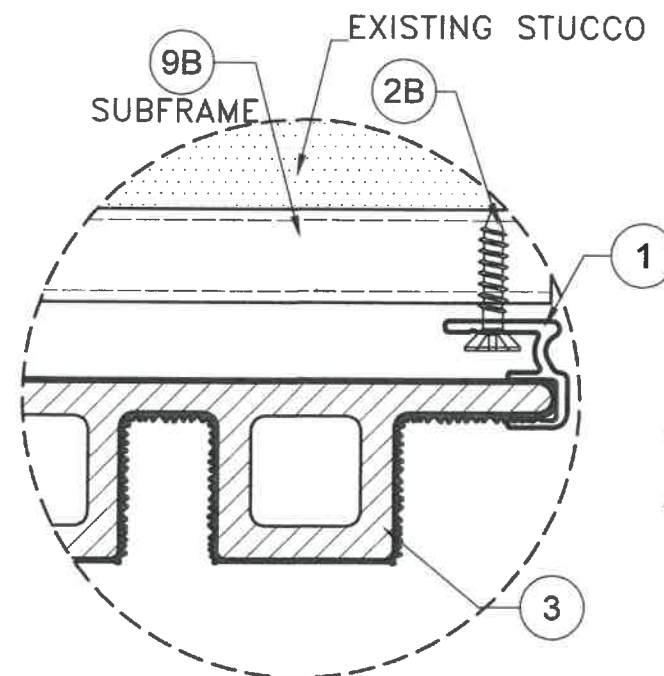


**VERTICAL INSTALLATION EXTERIOR ELEVATION W/9B**    **CORNER W/3 & 9B**    **INT. CORNER W/3 & 9B**    **EXT. CORNER W/11 & 9B**  
 POURED CONCRETE, CONCRETE BLOCK WALL  
 SUBSTRATE & WOOD FRAME BUILDINGS

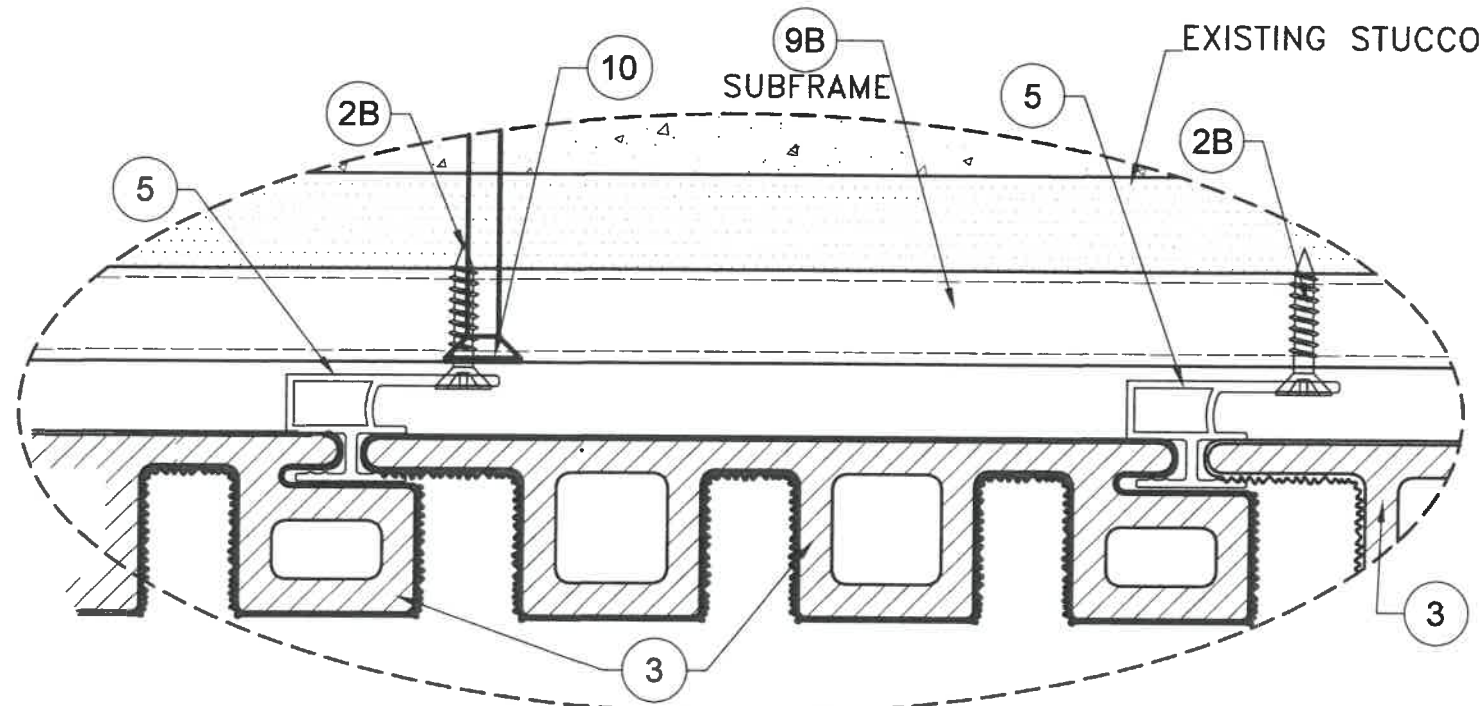




**DETAIL 1**  
N.T.S.



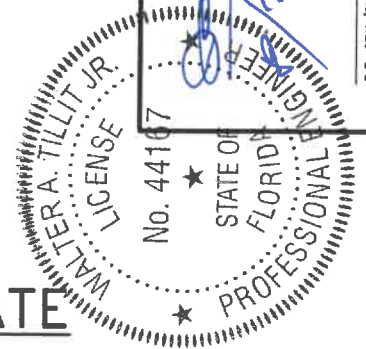
**DETAIL 3**  
N.T.S.



**DETAIL 2**  
N.T.S.

**VERTICAL INSTALLATION W/ 9B : ENDS  
POURED CONCRETE OR CONCRETE BLOCK WALL SUBSTRATE**

**PRODUCT APPROVED**  
as complying with the Florida  
Building Code  
NOA-No. 21-0722.04  
Approval Date 01/27/2022  
By *[Signature]*  
Miami-Dade Product Control

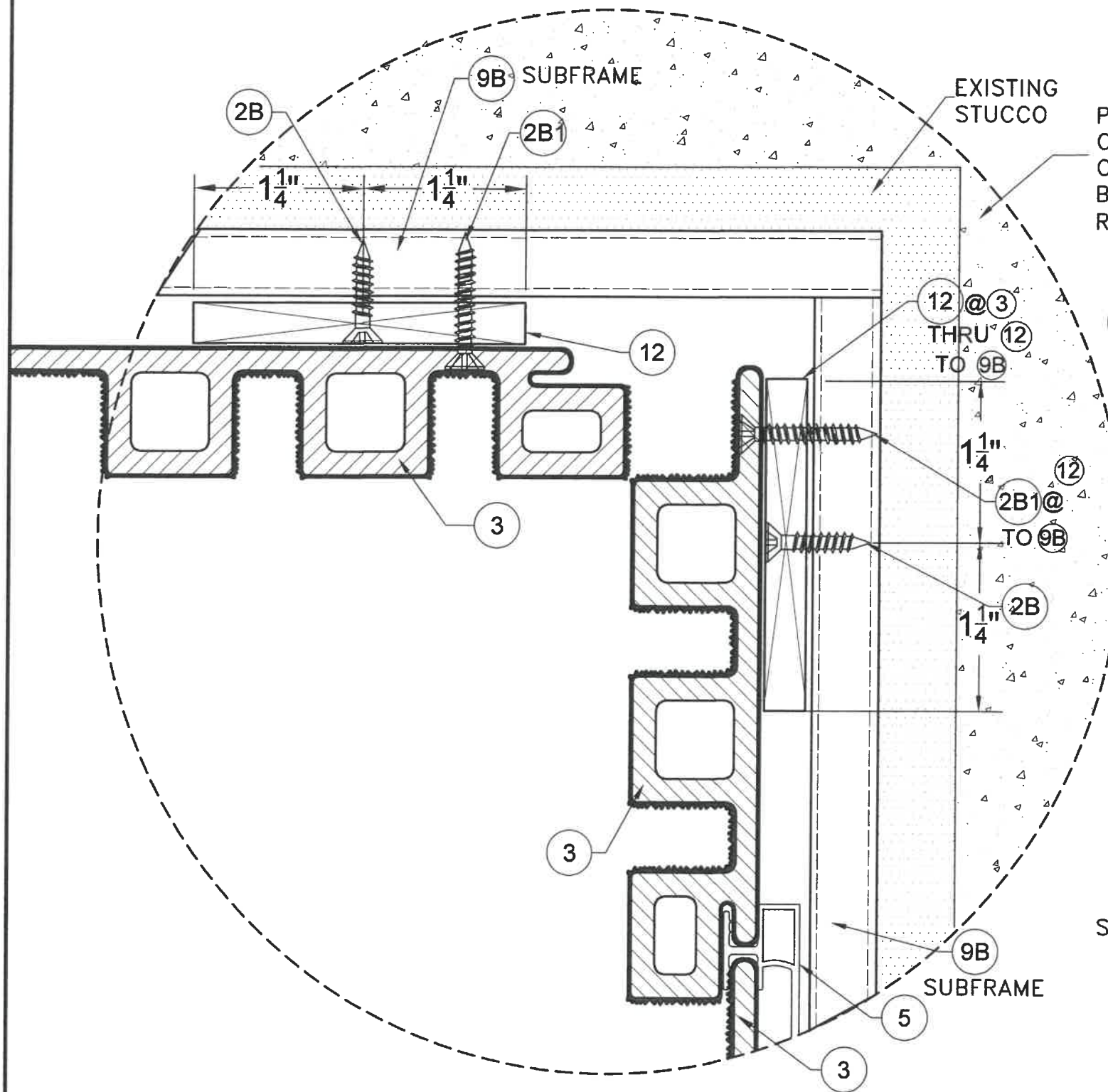


FLORIDA BUILDING CODE (HIGH VELOCITY HURRICANE ZONE)  
**NEWTECHWOOD DECORATIVE EUROPEAN WALL CLADDING PANEL UH46 SYSTEM**  
**NEWTECHWOOD AMERICA INC.**  
 15912 INTERNATIONAL PLAZA DRIVE,  
 HOUSTON, TEXAS 77032

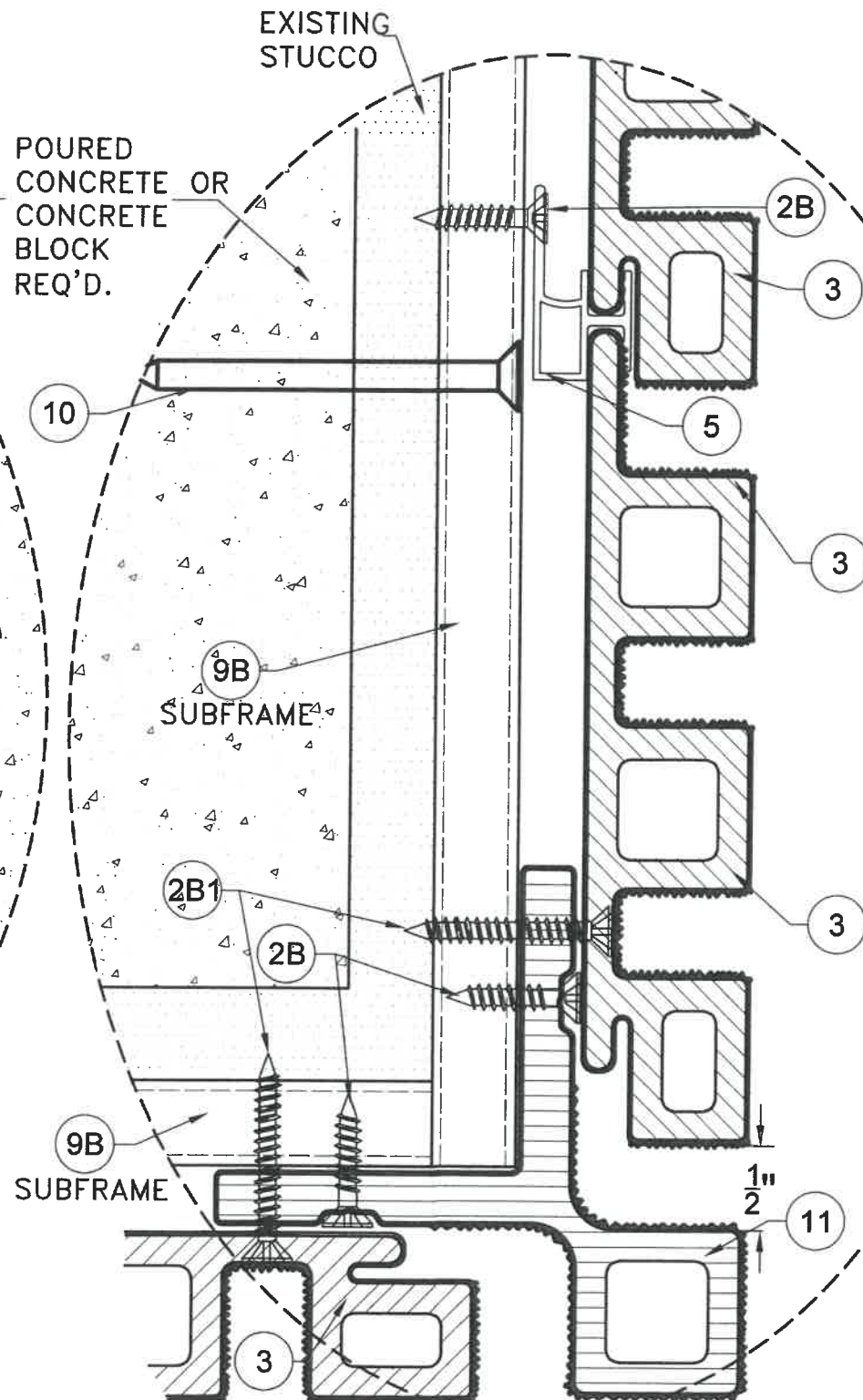
©2021 TILTECO, INC.  
**TILECO inc.**  
 TILLIT TESTING & ENGINEERING COMPANY  
 6335 N.W. 34th St., Ste. 305, VIRGINIA GARDENS, FL 33106  
 Phone : (305)871-1500 Fax : (305)871-1531  
 CA-0006719  
 WALTER A. TILLIT JR., P.E.  
 FLORIDA LIC. # 44167

REV. NO.	DESCRIPTION	DATE	REV. NO.	DESCRIPTION	DATE
1			1		
2			2		
3			3		
4			4		

M.P. DRAWN BY: 11/13/19 DATE: 19-094 DRAWING No. SHEET 9 OF 28

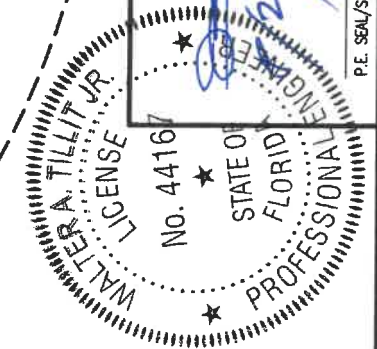


**DETAIL 4**  
N.T.S.



**DETAIL 5**  
N.T.S.

**VERTICAL INSTALLATION W/ 9B INTERIOR & EXTERIOR CORNER  
POURED CONCRETE OR CONCRETE BLOCK WALL SUBSTRATE**



FLORIDA BUILDING CODE (HIGH VELOCITY HURRICANE ZONE)

NEWTECHWOOD DECORATIVE EUROPEAN WALL CLADDING PANEL UH46 SYSTEM

©2021 TILECO, INC.

**TILECO inc.**

TILLIT TESTING & ENGINEERING COMPANY  
6355 N.W. 36th St., Ste. 205, Virginia Gardens, FL 33166  
Phone: (305) 406-1500 Fax: (305) 971-1331  
WALTER A. TILLIT JR., P.E.  
FLORIDA Lic. # 44167

M.P. DRAWN BY: 11/13/19 DATE: 19-084 DRAWING NO. SHEET 1 OF 28

REV. NO.	DATE	DESCRIPTION
1		
2		
3		

NEWTECHWOOD AMERICA INC.  
15912 INTERNATIONAL PLAZA DRIVE,  
HOUSTON, TEXAS 77032

**PRODUCT APPROVED**  
as complying with the Florida Building Code  
NOA-No. 21-0722.04  
Approval Date 01/27/2022  
By *[Signature]*  
Miami-Dade Product Control



**PRODUCT APPROVED**  
 as complying with the Florida  
 Building Code

NOA-No. 21-0722.04

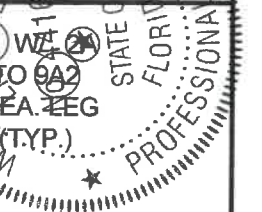
Approval Date 01/27/2022

By *[Signature]*  
 Miami-Dade Product Control

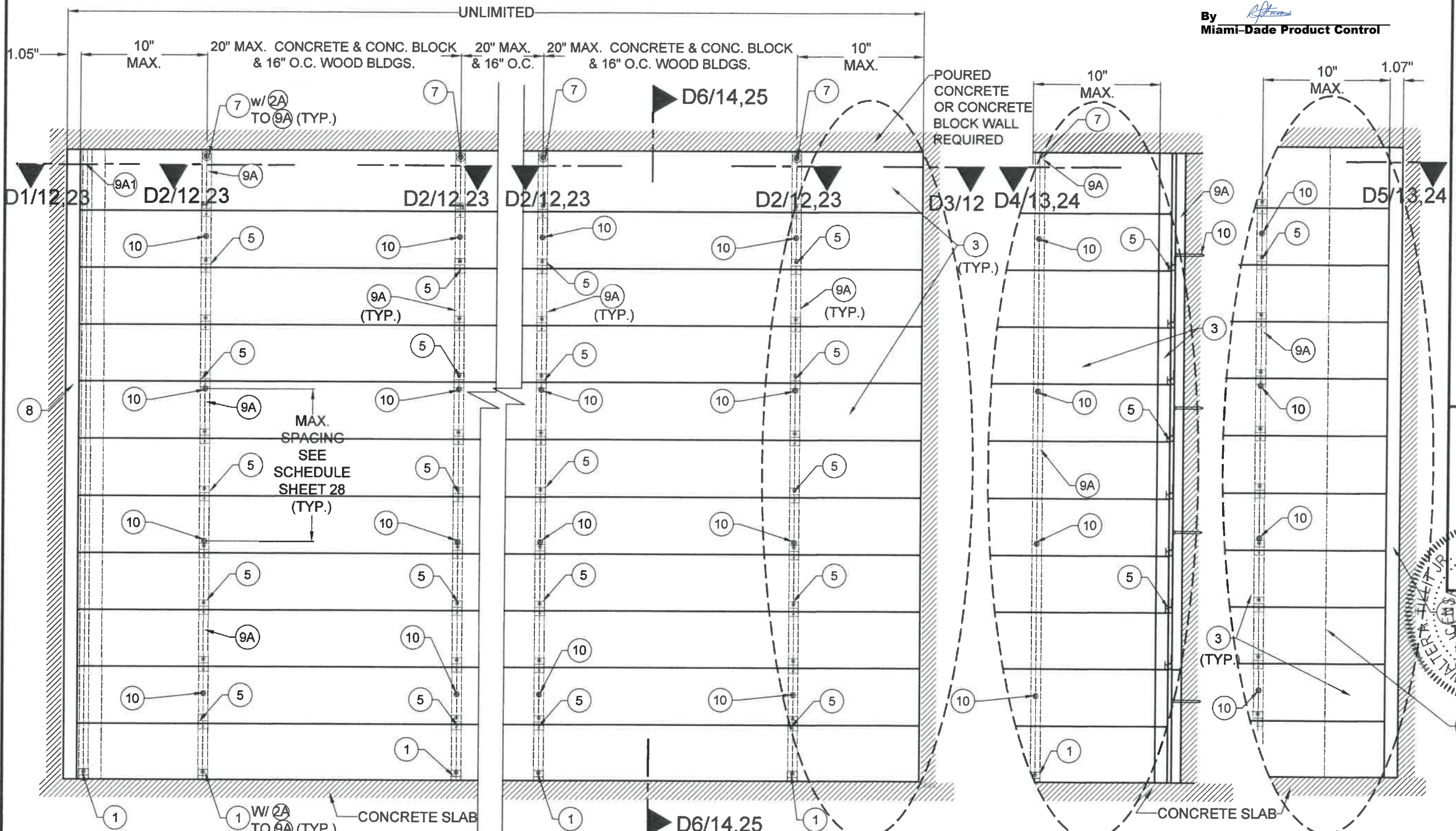
M.P.	11/13/19
DRAWN BY:	DATE:
19-094	
DRAWING No.	
SHEET 11 OF 28	

FLORIDA BUILDING CODE (HIGH VELOCITY HURRICANE ZONE)  
 NEWTECHWOOD DECORATIVE EUROPEAN  
 WALL CLADDING PANEL UH46 SYSTEM  
 NEWTECHWOOD AMERICA INC.  
 15912 INTERNATIONAL PLAZA DRIVE,  
 HOUSTON, TEXAS 77032

©2021 TILECO, INC.  
**TILECO INC.**  
 TILECO TESTING & ENGINEERING COMPANY  
 6335 N.W. 36th St., Ste. 300, Virginia Gardens, FL 33196  
 Phone: (305) 971-1500 Fax: (305) 971-1531  
 WALTER A. LILLI, P.E.  
 FLORIDA Lic. # 44167



9A2 CONT. W/  
 10 TO WALL  
 EA. LEG



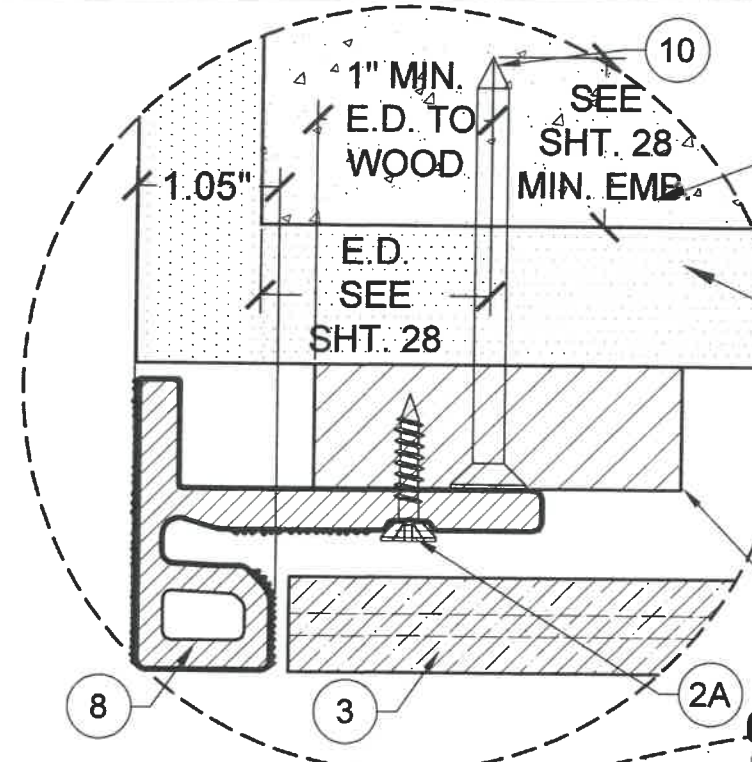
**HORIZONTAL INSTALLATION EXTERIOR ELEVATION W/ 9A, 9A1**  
**POURED CONCRETE, CONCRETE BLOCK WALL**  
**SUBSTRATE & WOOD FRAME BUILDINGS**

**CORNER W/ 3 & 9A**

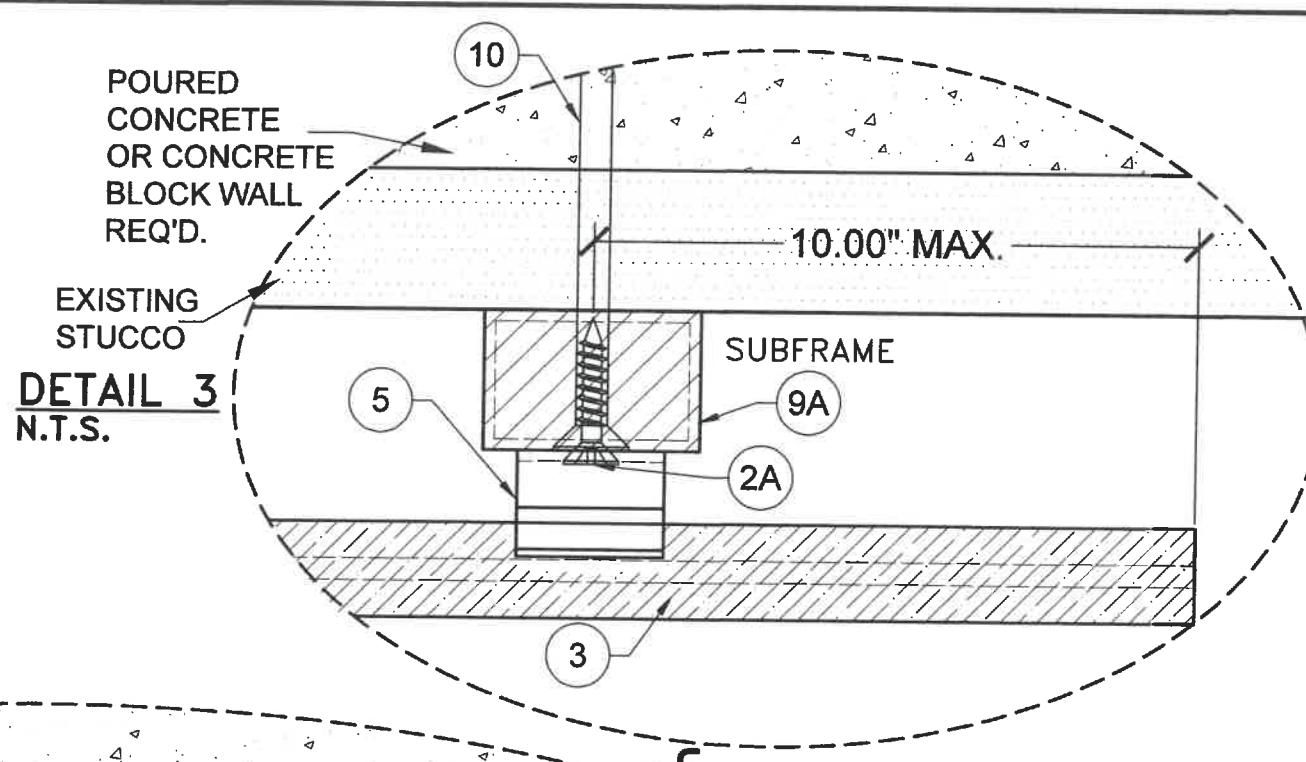
**INT. CORNER W/ 3 & 9A**

**EXT. CORNER W/ 11 & 9A2**

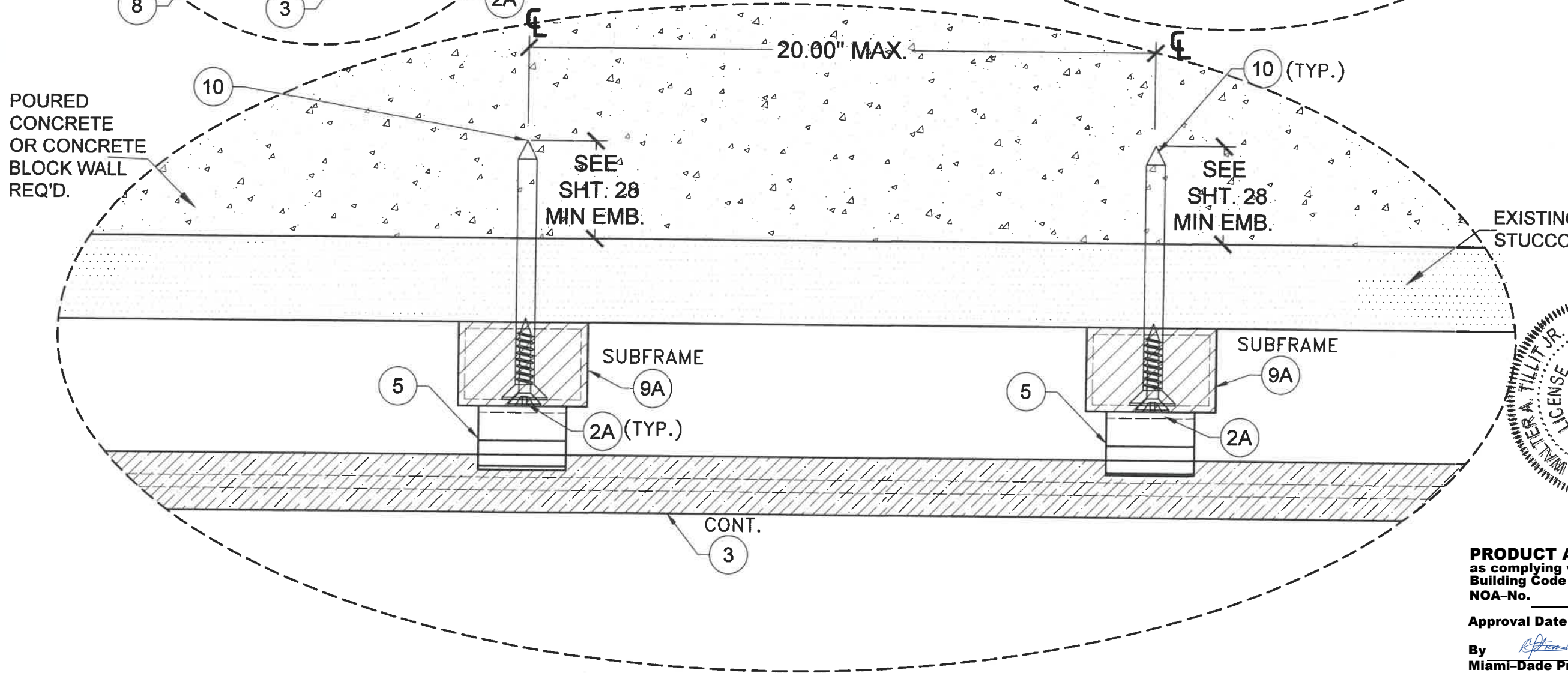




**DETAIL 1**  
N.T.S.



**DETAIL 3**  
N.T.S.



**DETAIL 2**  
N.T.S.

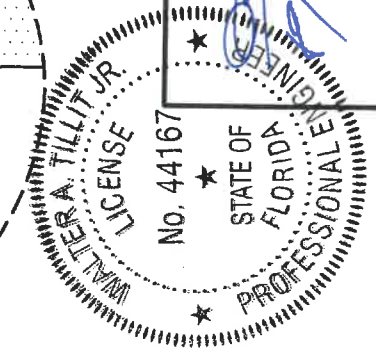
**HORIZONTAL INSTALLATION W/ 9A , 9A1 POURED CONCRETE OR CONCRETE BLOCK WALL SUBSTRATE**

FLORIDA BUILDING CODE (HIGH VELOCITY HURRICANE ZONE)  
**NEWTECHWOOD DECORATIVE EUROPEAN WALL CLADDING PANEL UH46 SYSTEM**  
**NEWTECHWOOD AMERICA INC.**  
 15912 INTERNATIONAL PLAZA DRIVE,  
 HOUSTON, TEXAS 77032

©2021 TILTECO, INC.  
**TILTECO INC.**  
 TILLIT TESTING & ENGINEERING COMPANY  
 6335 N.W. 36th St., Ste. 305, Virginia, OKLAHOMA 73156  
 Phone: (505)971-1530 Fax: (505)971-1531  
 CA-0008719  
 WALTER A. TILLIT JR., P.E.  
 FLORIDA Lic. # 44167

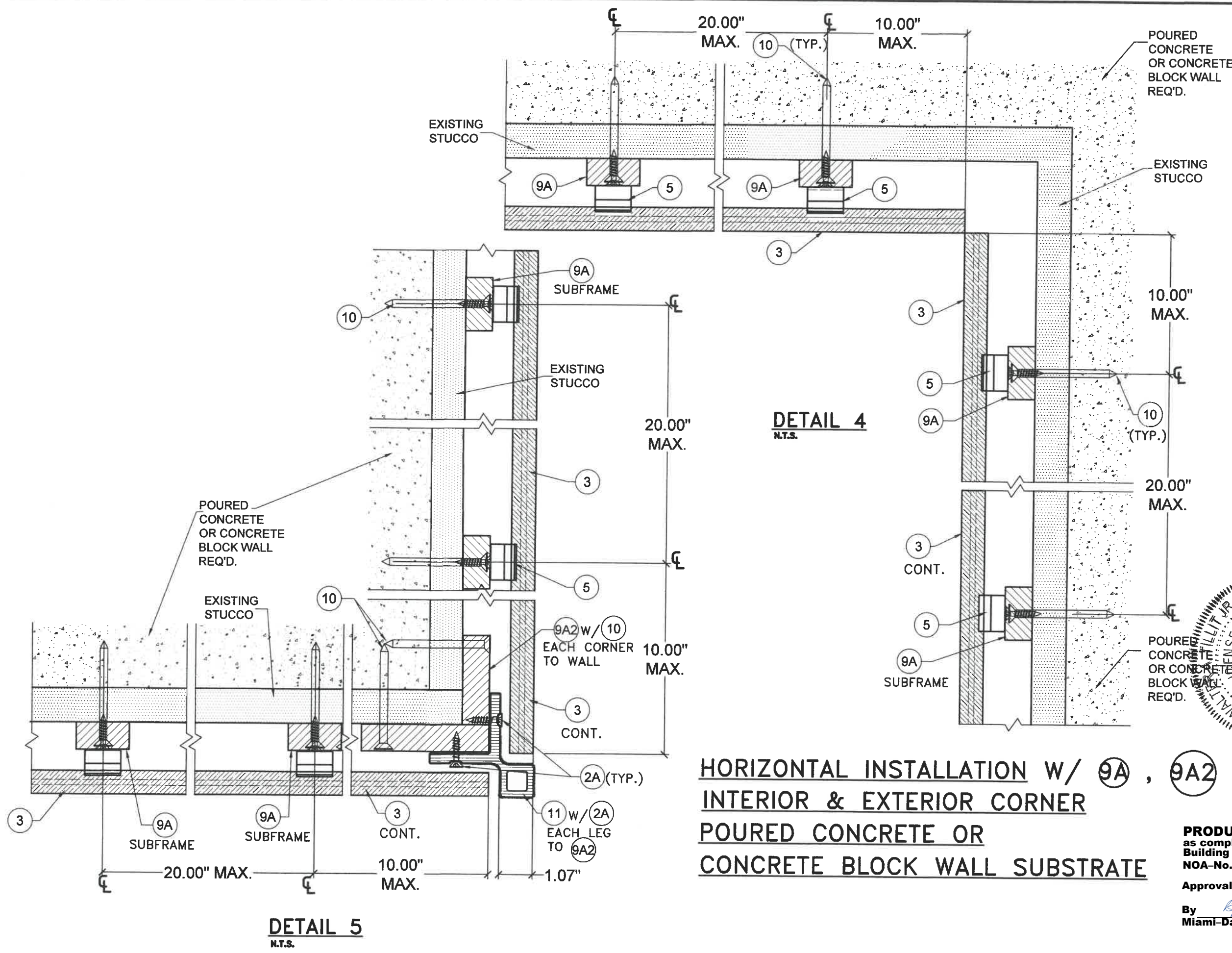
M.P. DRAWN BY: 11/15/19 DATE: 19-094 DRAWING No. SHEET 12 OF 28

*[Signature]*  
 P.E. SEAL/SIGNATURE/DATE



**PRODUCT APPROVED**  
 as complying with the Florida Building Code  
 NOA-No. 21-0722.04  
 Approval Date 01/27/2022  
 By *[Signature]*  
 Miami-Dade Product Control





**HORIZONTAL INSTALLATION W/ 9A , 9A2  
 INTERIOR & EXTERIOR CORNER  
 Poured Concrete or  
 Concrete Block Wall Substrate**

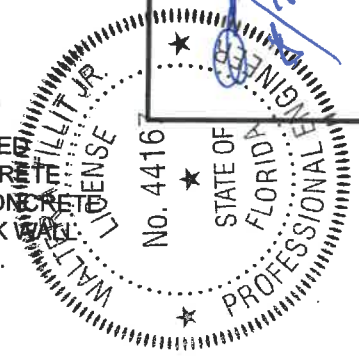
**PRODUCT APPROVED**  
 as complying with the Florida  
 Building Code  
 NOA-No. 21-0722.04  
 Approval Date 01/27/2022  
 By *[Signature]*  
 Miami-Dade Product Control

FLORIDA BUILDING CODE (HIGH VELOCITY HURRICANE ZONE)  
 NEWTECHWOOD DECORATIVE EUROPEAN  
 WALL CLADDING PANEL UH46 SYSTEM

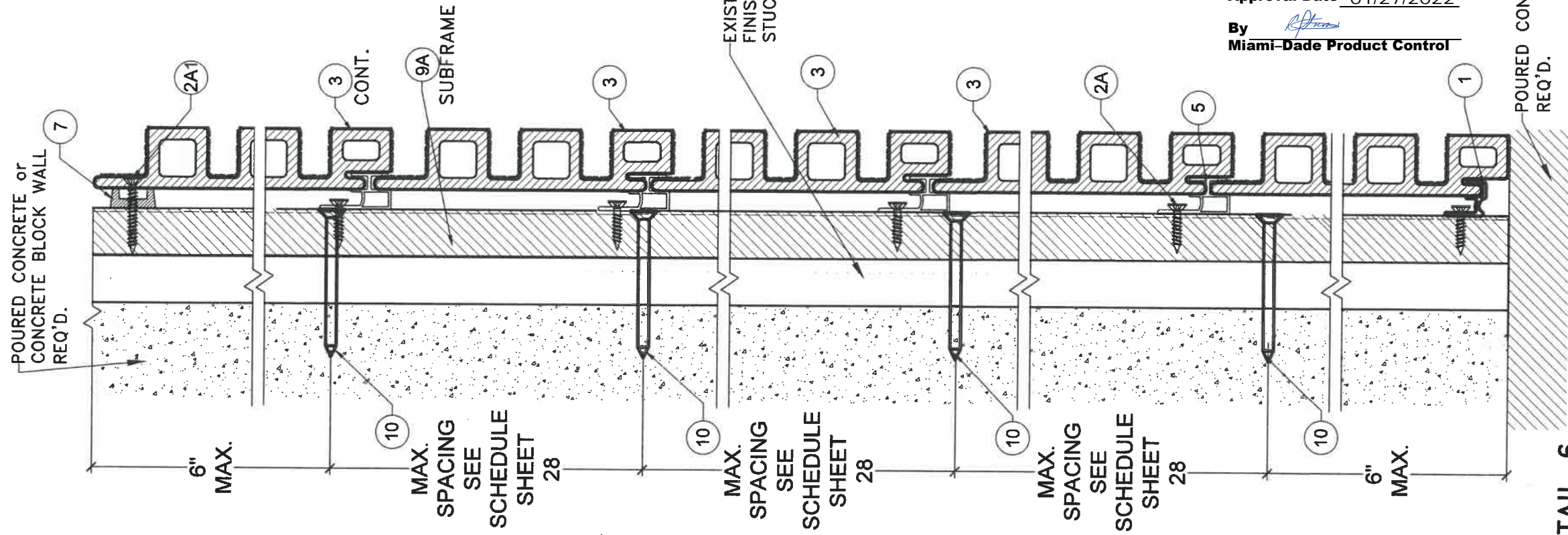
NEWTECHWOOD AMERICA INC.  
 15912 INTERNATIONAL PLAZA DRIVE,  
 HOUSTON, TEXAS 77032

TILECO inc.  
 TILECO TESTING & ENGINEERING COMPANY  
 6355 N.W. 36th St., Ste. 205, Miramar, Florida, FL 33106  
 Phone: (305)971-1530 Fax: (305)971-1531  
 CA-0006719  
 WALTER A. TILIT JR., P.E.  
 FLORIDA Lic. # 44167

M.P. DRAWN BY: 11/13/19 DATE: 19-094 DRAWING No. SHEET 13 OF 28

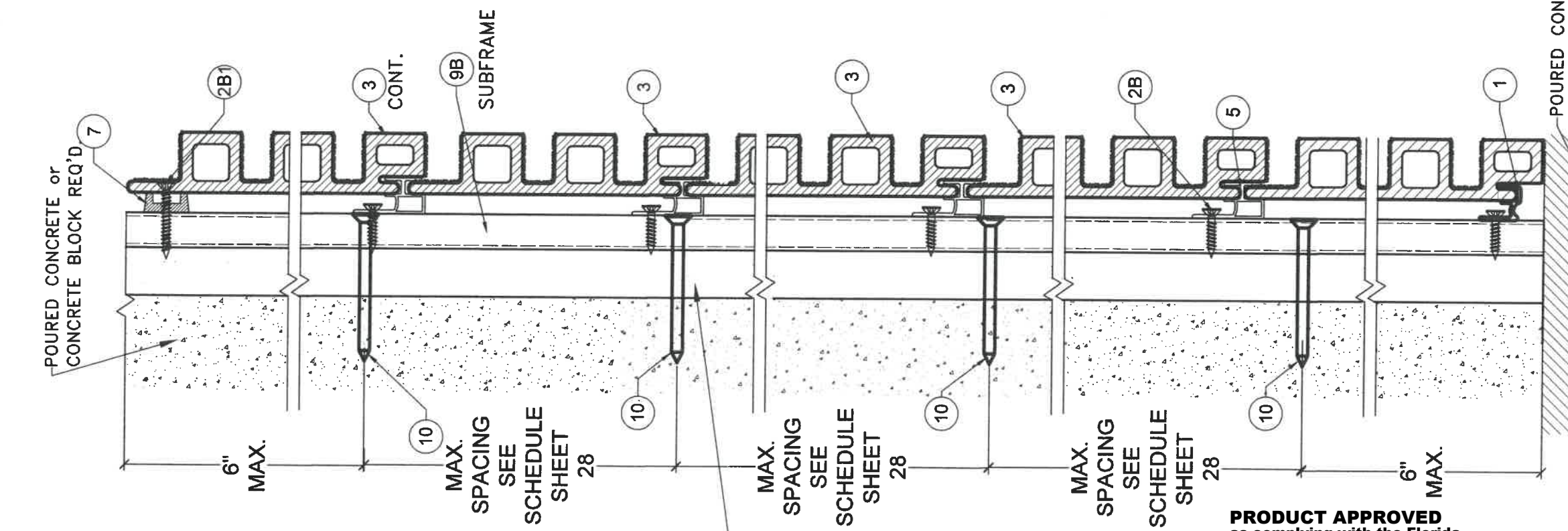






**DETAIL 6**

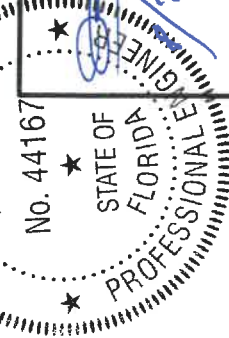
**HORIZONTAL INSTALLATION W/ 9A**  
**POURED CONCRETE OR CONCRETE**  
**BLOCK SUBSTRATE**  
**N.T.S**



**DETAIL 7**

**HORIZONTAL INSTALLATION W/ 9B**  
**POURED CONCRETE OR CONCRETE**  
**BLOCK SUBSTRATE**  
**N.T.S**

**PRODUCT APPROVED**  
 as complying with the Florida  
 Building Code  
 NOA-No. 21-0722.04  
 Approval Date 01/27/2022  
 By *[Signature]*  
 Miami-Dade Product Control



*[Signature]*  
 P.E. SEAL/SIGNATURE/DATE

©2021 TILTECO, INC.  
**TILTECO INC.**  
 TILIT TESTING & ENGINEERING COMPANY  
 6335 N.W. 38th St., Ste. 305, Miramar, FL 33186  
 Phone: (305)971-1530 Fax: (305)971-1531  
 WALTER A. TILLET JR., P.E.  
 FLORIDA LIC. # 44167

FLORIDA BUILDING CODE (HIGH VELOCITY HURRICANE ZONE)  
**NEWTECHWOOD DECORATIVE EUROPEAN**  
**WALL CLADDING PANEL UH46 SYSTEM**  
**NEWTECHWOOD AMERICA INC.**  
 15912 INTERNATIONAL PLAZA DRIVE,  
 HOUSTON, TEXAS 77032  
 M.P. DRAWN BY: 11/13/19  
 DATE: 19-094  
 DRAWING No. SHEET 1.4 OF 28



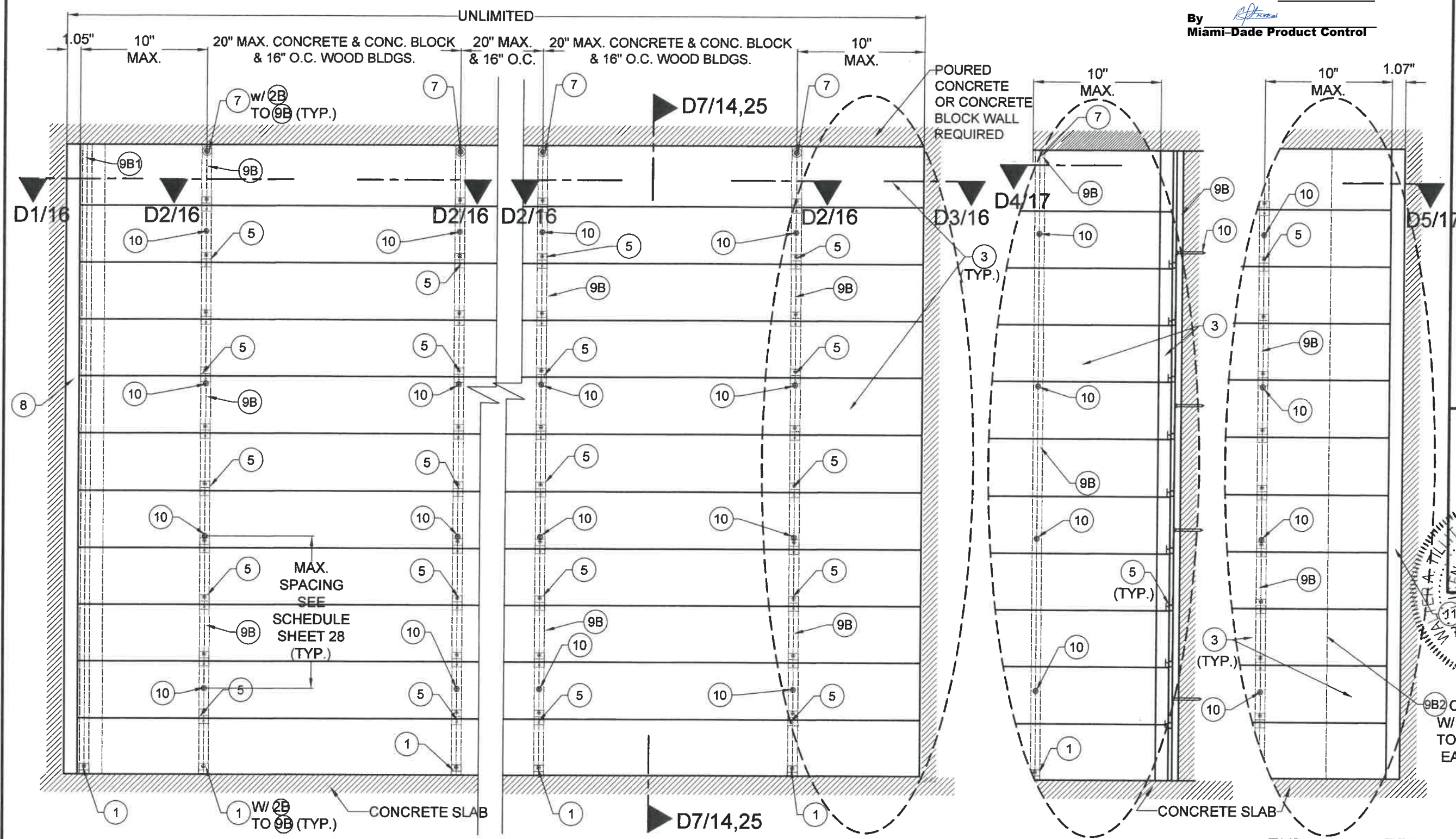
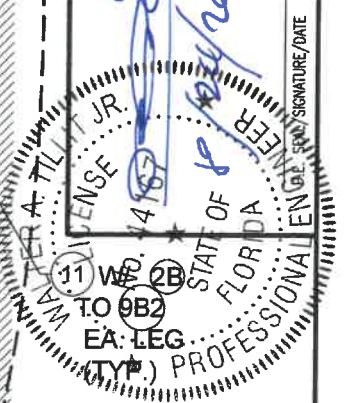
**PRODUCT APPROVED**  
 as complying with the Florida  
 Building Code  
 NOA-No. 21-0722.04  
 Approval Date 01/27/2022

By *[Signature]*  
 Miami-Dade Product Control

M.P.	11/15/19
DRAWN BY:	DATE:
19-094	DRAWING No.
	SHEET 15 OF 28

FLORIDA BUILDING CODE (HIGH VELOCITY HURRICANE ZONE)  
**NEWTECHWOOD DECORATIVE EUROPEAN  
 WALL CLADDING PANEL UH48 SYSTEM**  
**NEWTECHWOOD AMERICA INC.**  
 15912 INTERNATIONAL PLAZA DRIVE,  
 HOUSTON, TEXAS 77032

©2021 TILECO, INC.  
**TILECO INC.**  
 TILLIT TESTING & ENGINEERING COMPANY  
 6325 N.W. 36th St., Ste. 303, Virginia Gardens, FL 33166  
 Phone: (305)971-1530 Fax: (305)971-1531  
 WALTER A. TILLET JR. P.E.  
 FLORIDA Lic. # 44167



**HORIZONTAL INSTALLATION EXTERIOR ELEVATION W/ (9B)**  
**POURED CONCRETE, CONCRETE BLOCK WALL**  
**SUBSTRATE & WOOD FRAME BUILDINGS**

**CORNER W/**  
**(3) & (9B)**

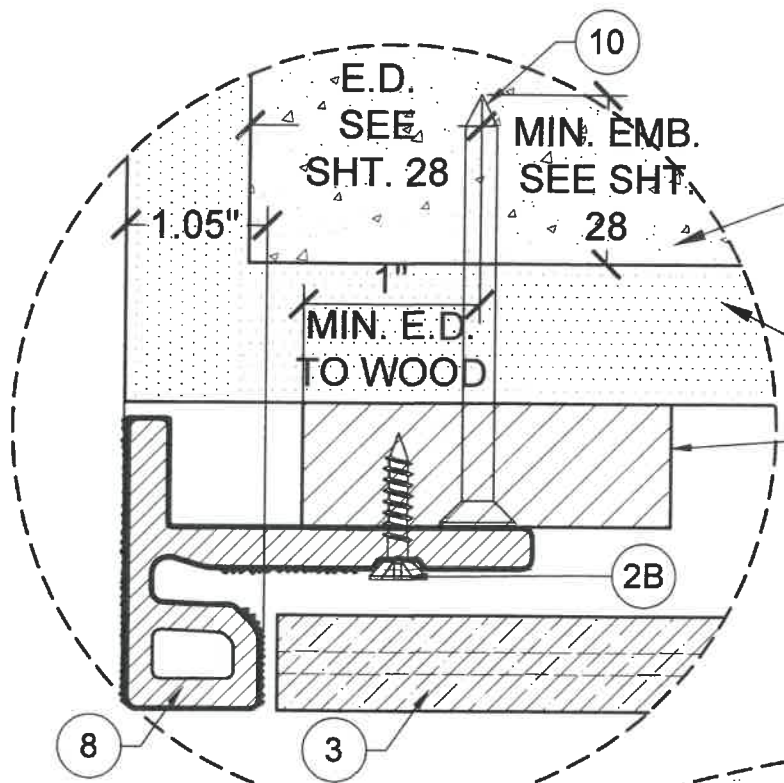
**INT. CORNER**  
**W/ (3) & (9B)**

**EXT. CORNER**  
**W/ (11) & (9B2)**

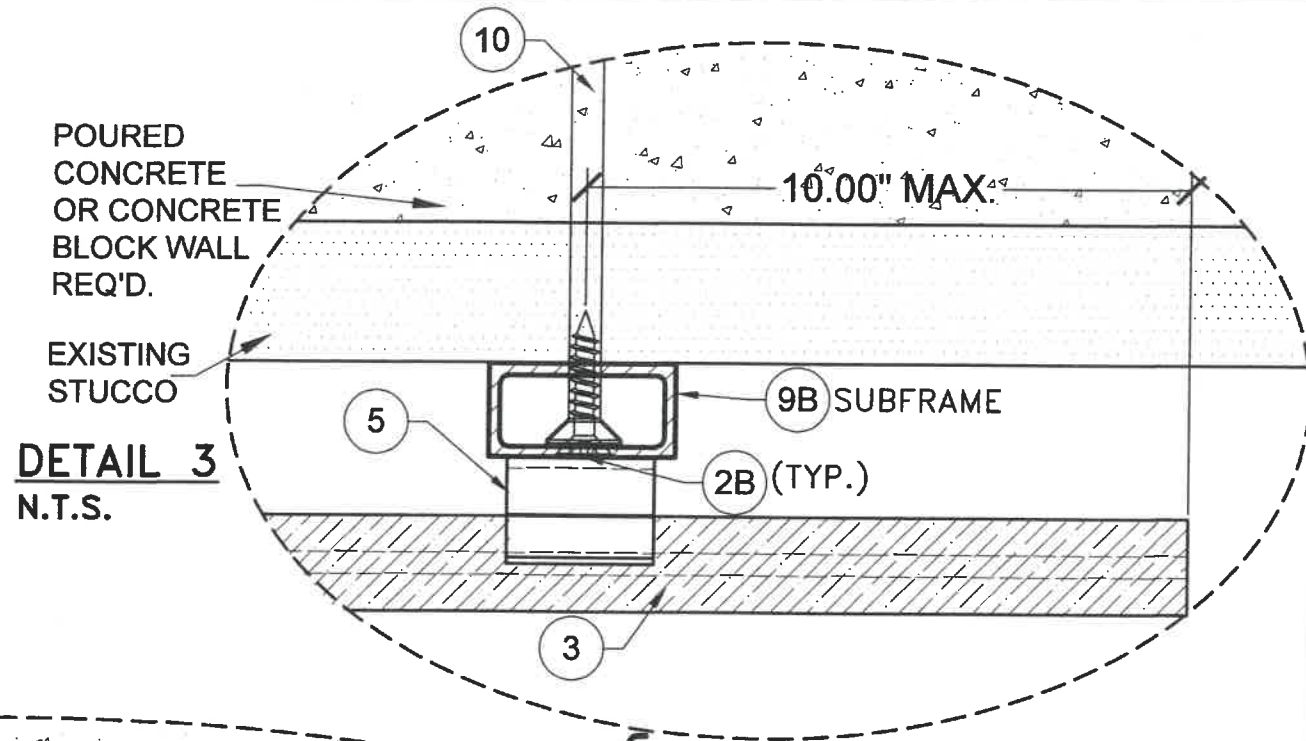
(11) W/ (2B)  
 TO (9B2)  
 EA: LEG  
 (TYP.) PROFESSIONAL ENGINEER

(9B2) CONT.  
 W/ (10)  
 TO WALL  
 EA: LEG

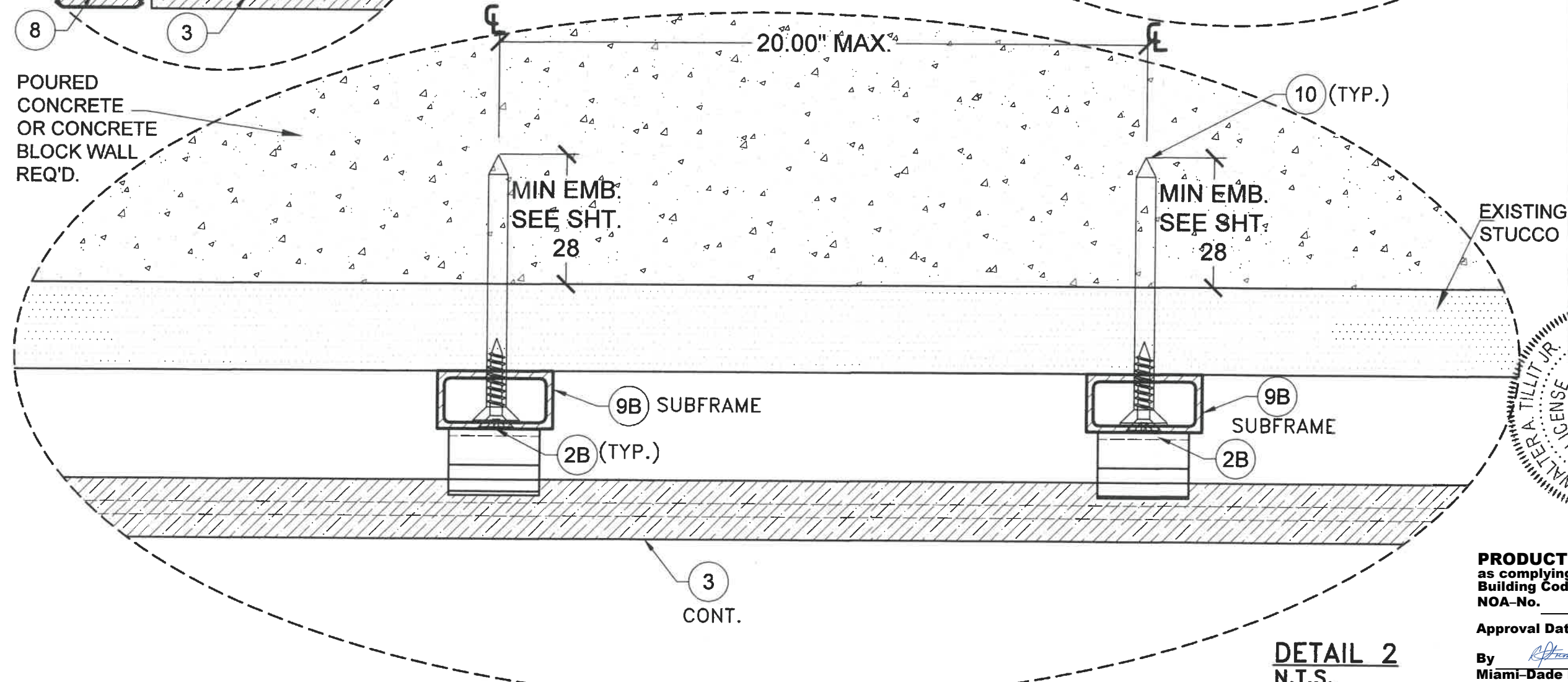




**DETAIL 1**  
N.T.S.



**DETAIL 3**  
N.T.S.



**DETAIL 2**  
N.T.S.

**HORIZONTAL INSTALLATION W/ 9B & 9B1 POURED CONCRETE OR CONCRETE BLOCK WALL SUBSTRATE**

FLORIDA BUILDING CODE (HIGH VELOCITY HURRICANE ZONE)  
**NEWTECHWOOD DECORATIVE EUROPEAN WALL CLADDING PANEL UH46 SYSTEM**  
**NEWTECHWOOD AMERICA INC.**  
 15912 INTERNATIONAL PLAZA DRIVE,  
 HOUSTON, TEXAS 77032

©2021 TILECO, INC.  
**TILECO inc.**  
 TILECO TESTING & ENGINEERING COMPANY  
 4333 N.W. 34th St., Suite 300, Virginia Beach, VA 23464  
 Phone: (757) 481-1530 Fax: (757) 481-1531  
 CA-0008719  
 WALTER A. TILLIT JR., P.E.  
 FLORIDA Lic. # 44167

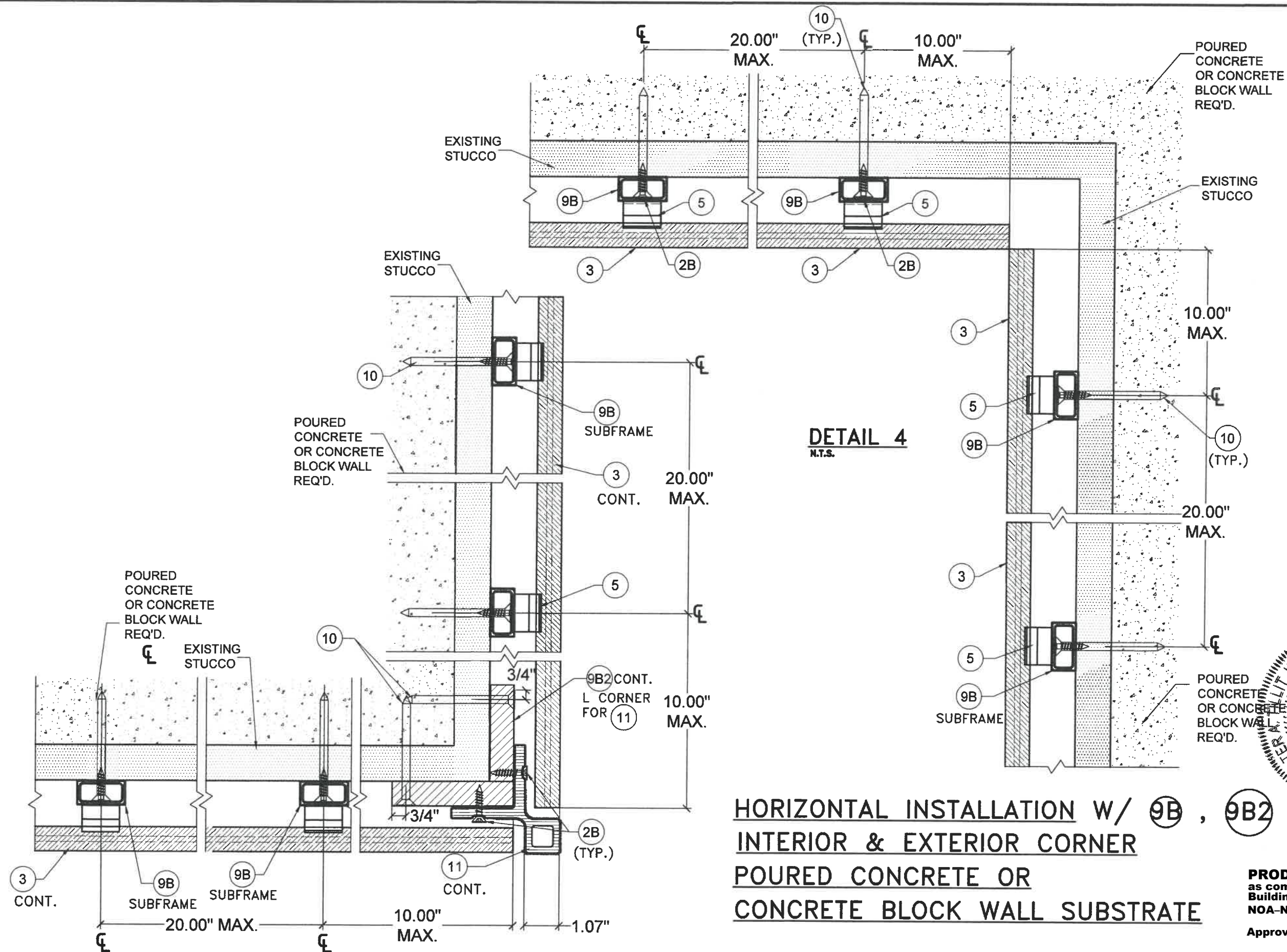
M.P. DRAWN BY: 11/13/19 DATE: 19-094 DRAWING No. SHEET 6 OF 28

*Walter A. Tillit Jr.*  
 P.E. SEAL/SIGNATURE/DATE

WALTER A. TILLIT JR.  
 LICENSE No. 44167  
 STATE OF FLORIDA  
 PROFESSIONAL ENGINEER

**PRODUCT APPROVED**  
 as complying with the Florida Building Code  
 NOA-No. 21-0722.04  
 Approval Date 01/27/2022  
 By *[Signature]*  
 Miami-Dade Product Control

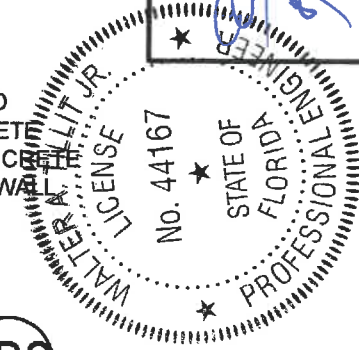




**DETAIL 4**  
N.T.S.

**DETAIL 5**  
N.T.S.

**HORIZONTAL INSTALLATION W/ 9B , 9B2  
INTERIOR & EXTERIOR CORNER  
POURED CONCRETE OR  
CONCRETE BLOCK WALL SUBSTRATE**



**PRODUCT APPROVED**  
as complying with the Florida  
Building Code  
NOA-No. 21-0722.04  
Approval Date 01/27/2022  
By *[Signature]*  
Miami-Dade Product Control

FLORIDA BUILDING CODE (HIGH VELOCITY HURRICANE ZONE)

**NEWTECHWOOD DECORATIVE EUROPEAN WALL CLADDING PANEL UH48 SYSTEM**

**NEWTECHWOOD AMERICA INC.**  
15912 INTERNATIONAL PLAZA DRIVE,  
HOUSTON, TEXAS 77032

©2021 TILTECO, INC.

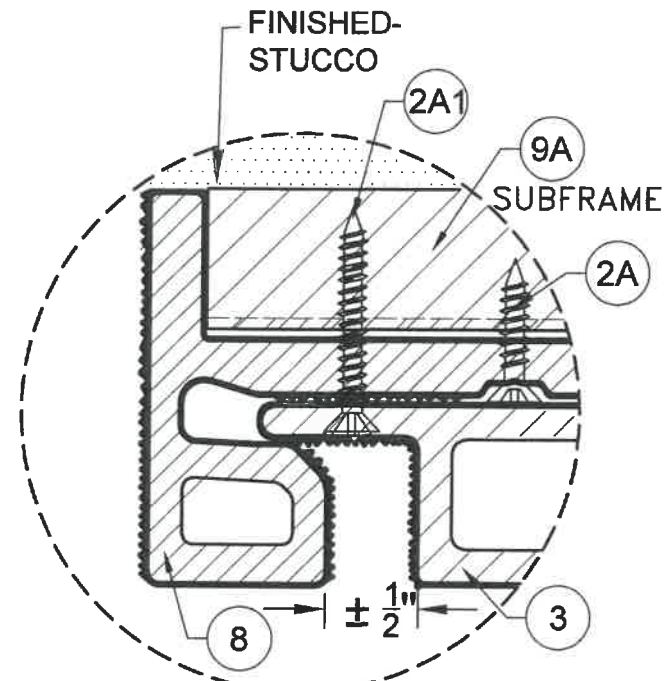
**TILTECO inc.**  
TILLIT TESTING & ENGINEERING COMPANY  
4355 N.W. 28th St., Ste. 305, VEROBIA, FLORIDA 33166  
Phone: (305)971-1530 Fax: (305)971-1531  
WALTER A. TILLIT JR. P.E.  
FLORIDA Lic. # 44167

M.P.	11/13/19
DATE:	
REV. NO.	REV. DATE
1	
2	
3	
4	
5	

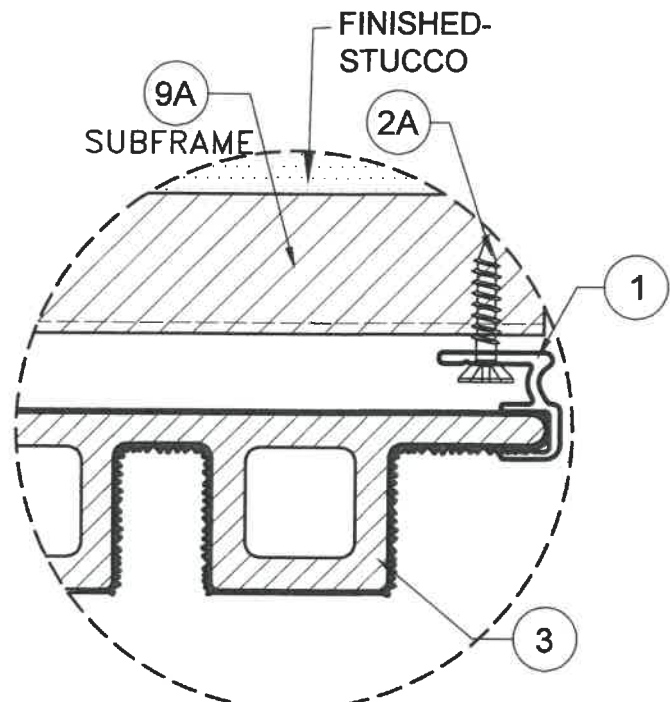
DRAWING No. **19-094**  
SHEET 7 OF 28

*[Signature]*  
P.E. SEAL/SIGNATURE/DATE

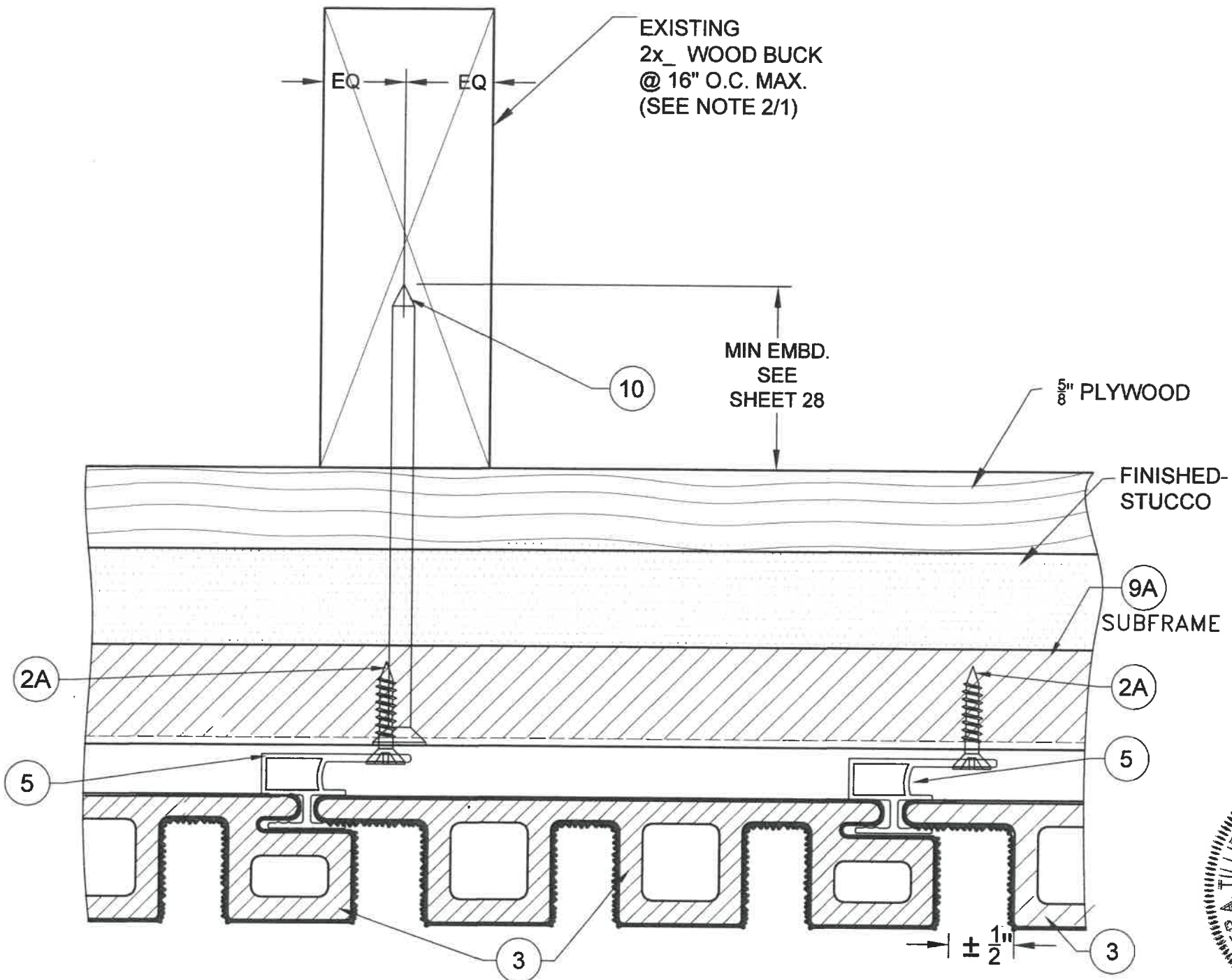




**DETAIL 1**  
N.T.S.



**DETAIL 3**  
N.T.S.



**DETAIL 2**  
N.T.S.

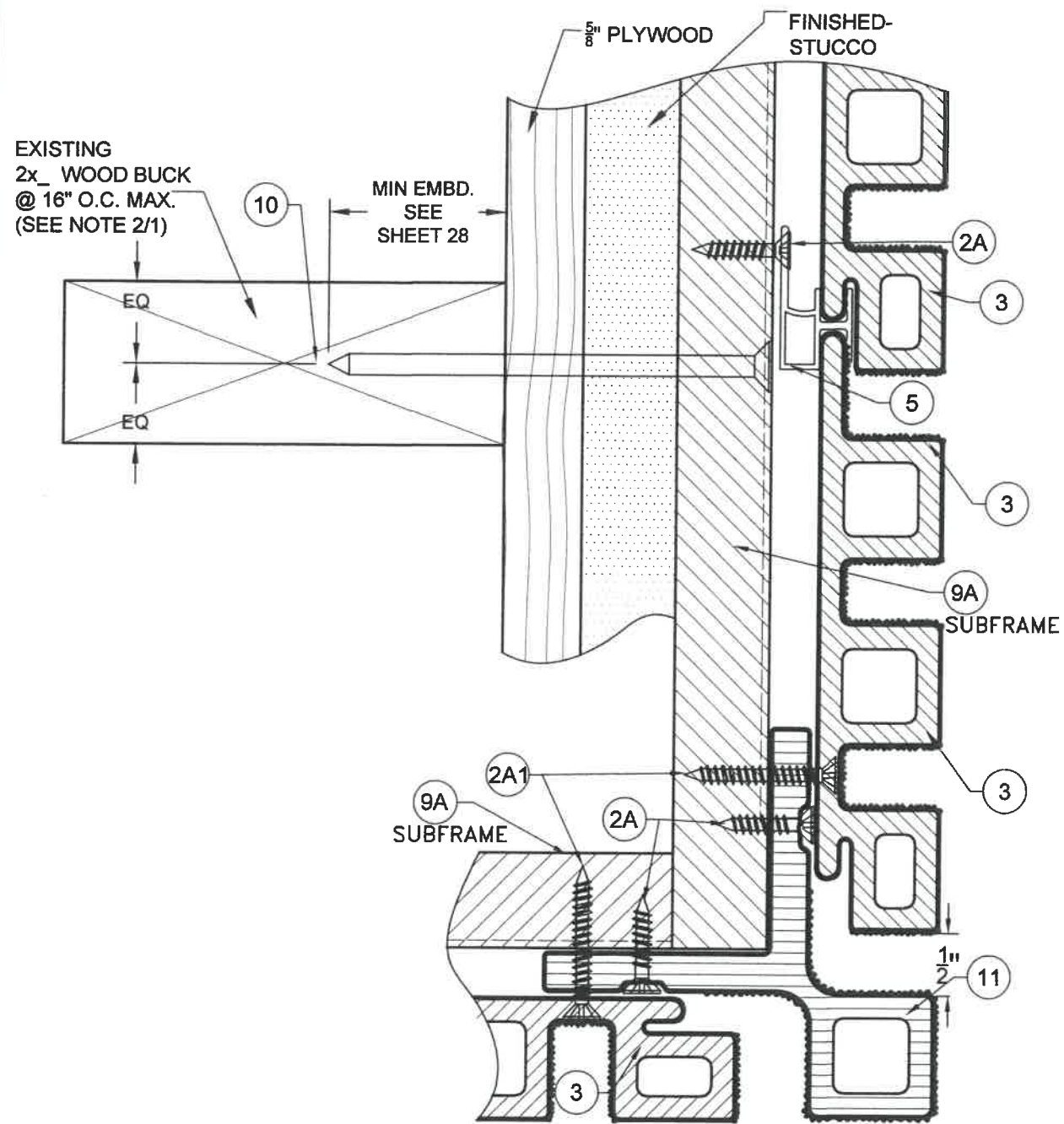
**VERTICAL INSTALLATION W/ 9A : ENDS  
WOOD FRAME BUILDINGS**

M.P. DRAWN BY:		11/13/19 DATE:		19-094 DRAWING No.	
NEWTECHWOOD DECORATIVE EUROPEAN WALL CLADDING PANEL UH46 SYSTEM		NEWTECHWOOD AMERICA INC. 15912 INTERNATIONAL PLAZA DRIVE, HOUSTON, TEXAS 77032		SHEET 18 OF 28	
FLORIDA BUILDING CODE (HIGH VELOCITY HURRICANE ZONE)					
TILECO INC. TILLIT TESTING & ENGINEERING COMPANY 6333 N.W. 36th St., Ste. 305, Virginia Gardens, FL 33166 Phone: (305) 971-1530 Fax: (305) 971-1531 CA-0006719 WALTER A. TILLIT JR., P.E. FLORIDA Lic. # 44167					

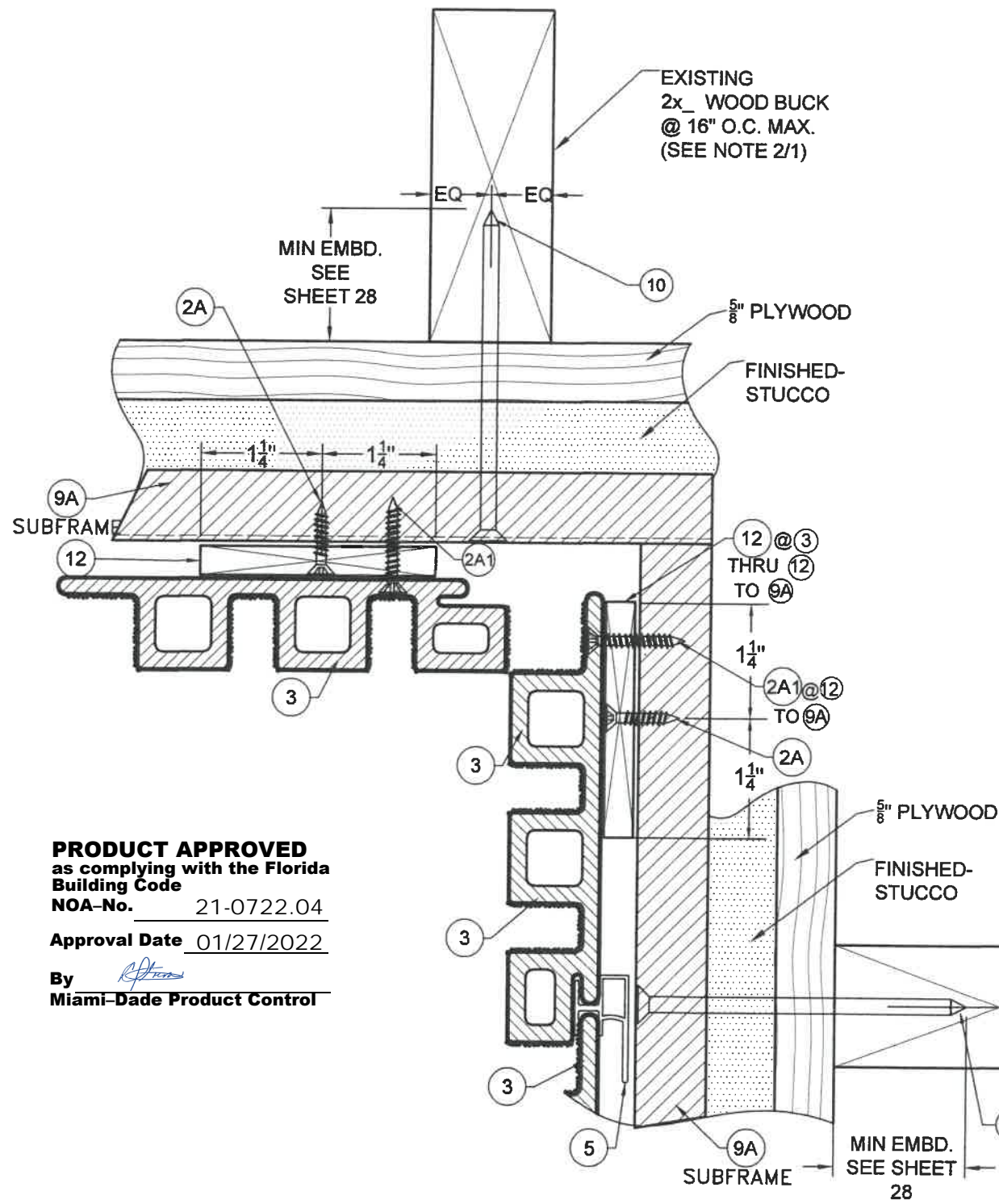
*Walter A. Tillit Jr.*  
P.E. SEAL/SIGNATURE/DATE  
No. 44167  
STATE OF FLORIDA  
PROFESSIONAL ENGINEER

**PRODUCT APPROVED**  
as complying with the Florida Building Code  
NOA-No. 21-0722.04  
Approval Date 01/27/2022  
By *[Signature]*  
Miami-Dade Product Control





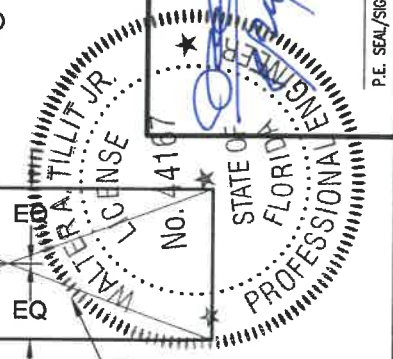
**DETAIL 5**  
N.T.S.



**DETAIL 4**  
N.T.S.

**VERTICAL INSTALLATION W/ 9A INTERIOR & EXTERIOR CORNER  
WOOD FRAME BUILDINGS**

**PRODUCT APPROVED**  
as complying with the Florida  
Building Code  
NOA-No. 21-0722.04  
Approval Date 01/27/2022  
By *[Signature]*  
Miami-Dade Product Control



FLORIDA BUILDING CODE (HIGH VELOCITY HURRICANE ZONE)  
NEWTECHWOOD DECORATIVE EUROPEAN  
WALL CLADDING PANEL UH48 SYSTEM

©2021 TILTECO, INC.

**TILTECO INC.**  
TILLIT TESTING & ENGINEERING COMPANY  
6355 N.W. 24th St., Ste. 300, WOODLAND PARKWAY, Ft. 33166  
Phone: (305)971-1650 Fax: (305)971-1531  
WALTER A. TILLIT, P.E.  
FLORIDA Lic. # 44167

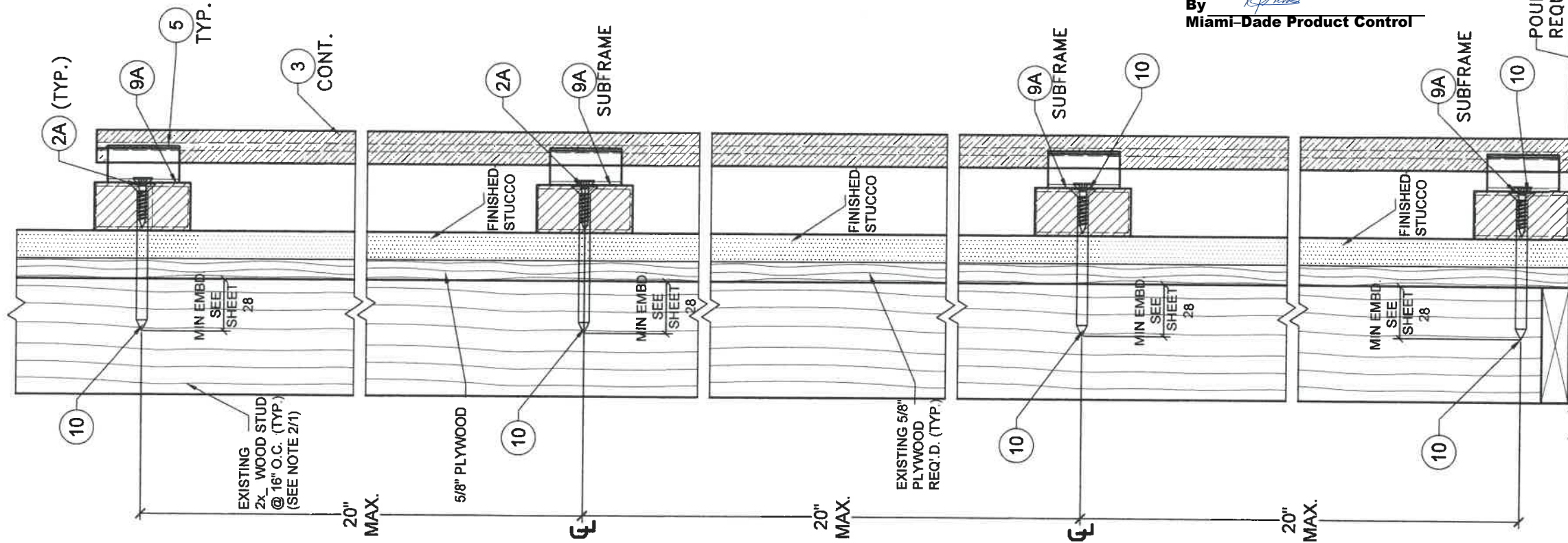
NEWTECHWOOD AMERICA INC.  
15912 INTERNATIONAL PLAZA DRIVE,  
HOUSTON, TEXAS 77032

REV. NO.	DESCRIPTION	DATE	REV. NO.	DESCRIPTION	DATE
1			1		
2			2		
3			3		
4			4		

M.P. DRAWN BY: 11/13/19 DATE: 19-094 DRAWING No. SHEET19 OF 28

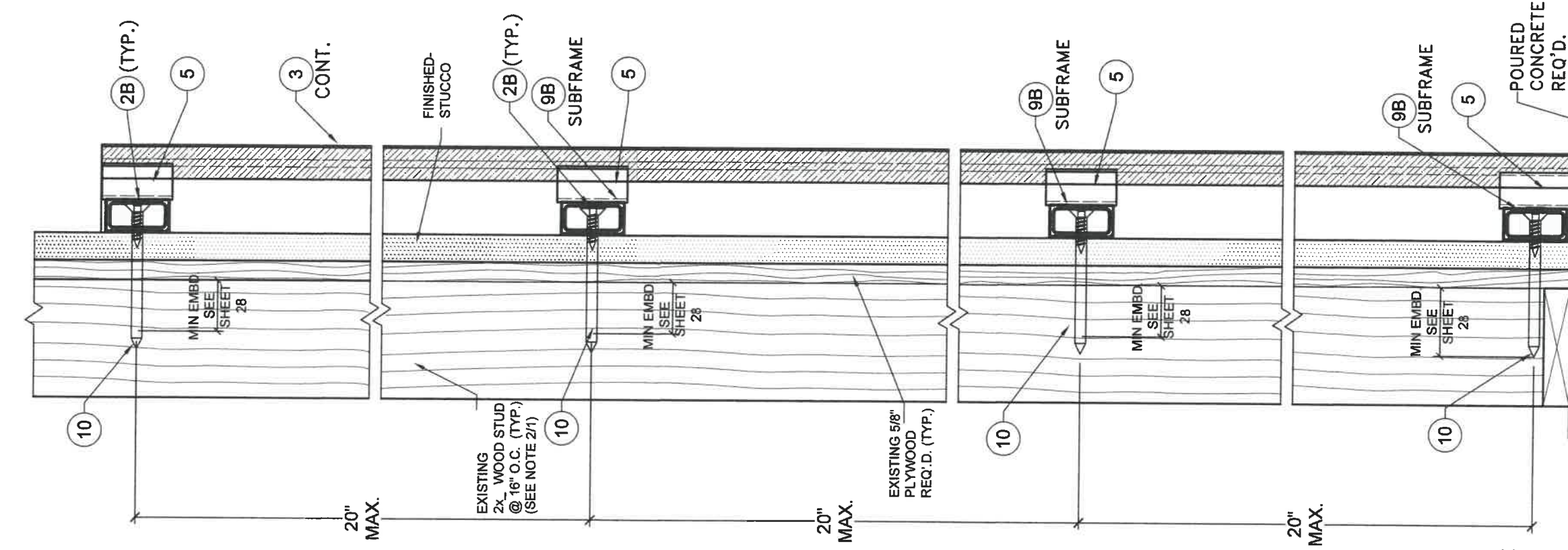
P.E. SEAL/SIGNATURE/DATE





**DETAIL 6**

**VERTICAL INSTALLATION W/ 9A**  
**WOOD FRAME BUILDINGS**  
 N.T.S



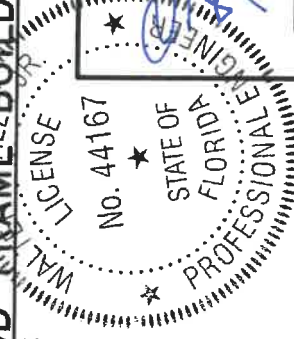
**DETAIL 7**

**VERTICAL INSTALLATION W/ 9B**  
**WOOD FRAME BUILDINGS**  
 N.T.S

**PRODUCT APPROVED**  
 as complying with the Florida  
 Building Code  
 NOA-No. 21-0722.04

Approval Date 01/27/2022

By *[Signature]*  
 Miami-Dade Product Control



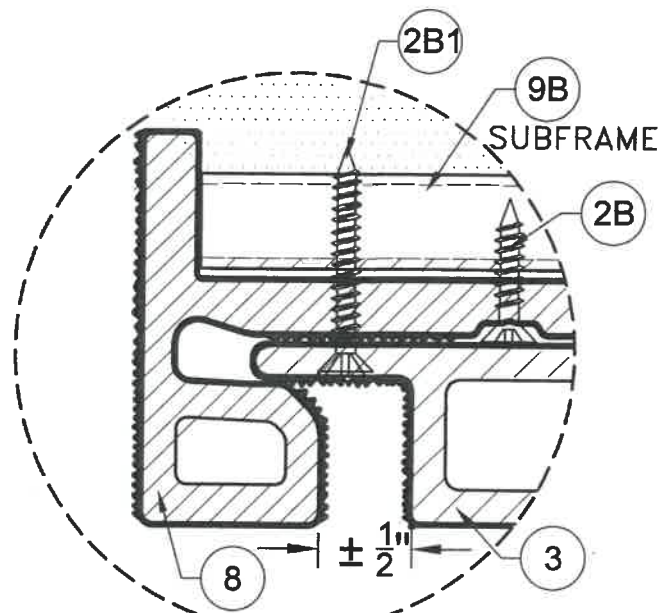
*[Signature]*  
 P.E. SEAL/SIGNATURE/DATE

FLORIDA BUILDING CODE (HIGH VELOCITY HURRICANE ZONE)  
 NEWTECHWOOD DECORATIVE EUROPEAN WALL CLADDING PANEL UH46 SYSTEM  
**TILECO Inc.**  
 TILECO TESTING & ENGINEERING COMPANY  
 6350 N.W. 36th St., 3rd. Fl., Virginia Gardens, FL 33188  
 Phone: (800)671-1531 CA-0008710 (800)671-1531  
 WALTER A. TILT, Jr., P.E.  
 FLORIDA Lic. # 44167

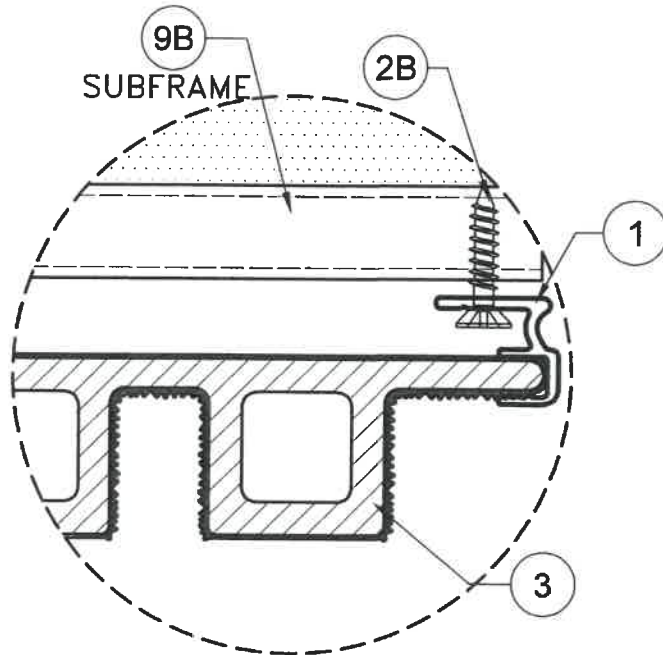
REV. NO.	DESCRIPTION	DATE	REV. NO.	DESCRIPTION	DATE
1			3		
M.P. DRAWN BY: 11/13/19			DATE: 11/13/19		
DRAWING NO. 19-094			SHEET 20 OF 28		

NEWTECHWOOD AMERICA INC.  
 15912 INTERNATIONAL PLAZA DRIVE,  
 HOUSTON, TEXAS 77032

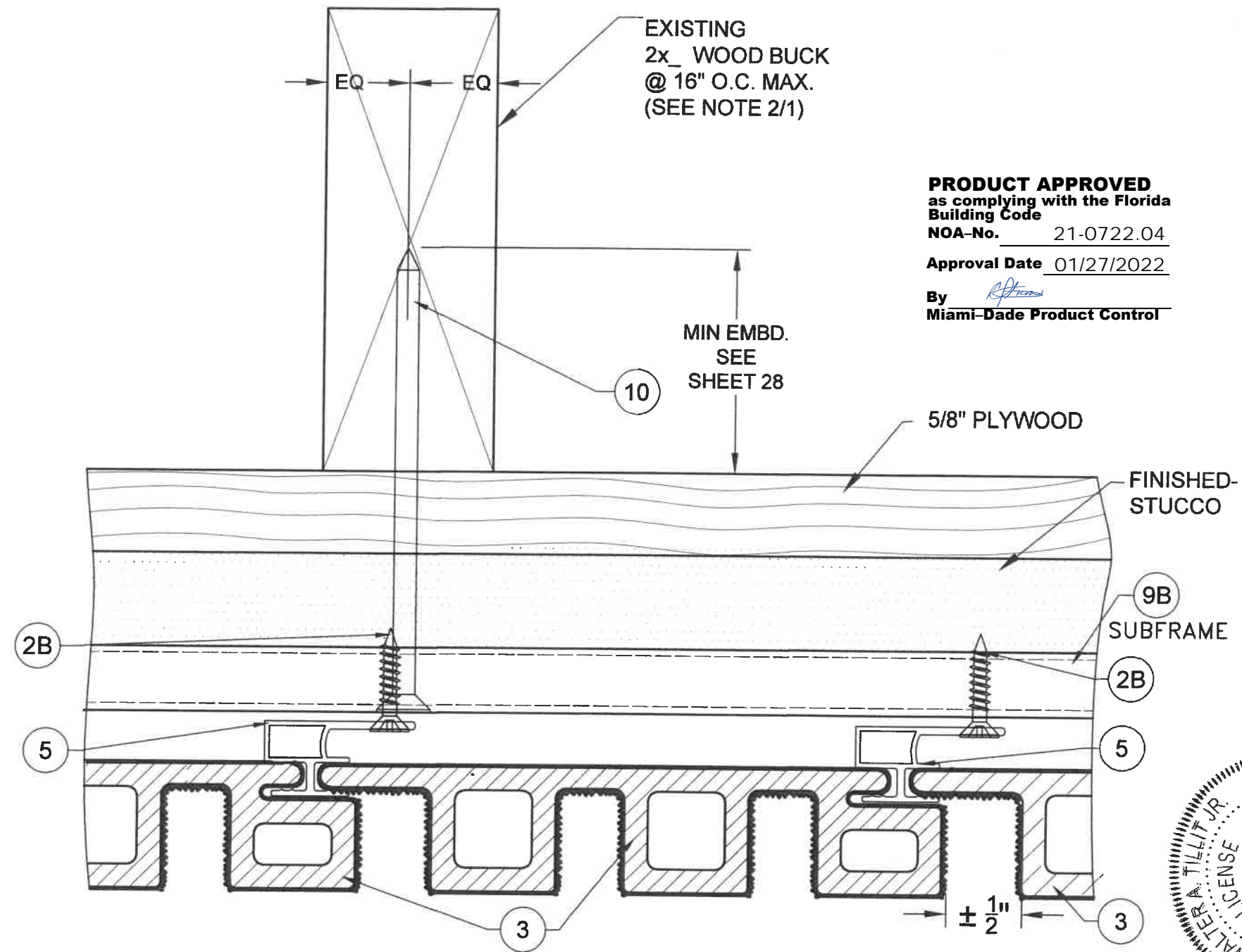




**DETAIL 1**  
N.T.S.



**DETAIL 3**  
N.T.S.



**DETAIL 2**  
N.T.S.

**VERTICAL INSTALLATION W/ 9B : ENDS**  
**WOOD FRAME BUILDINGS**

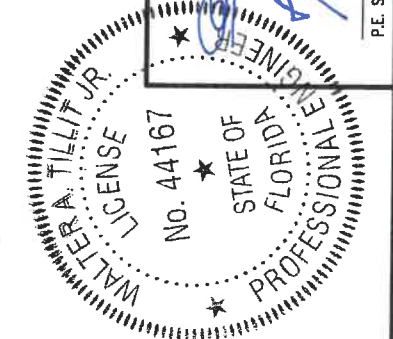
EXISTING  
2x\_ WOOD BUCK  
@ 16" O.C. MAX.  
(SEE NOTE 2/1)

**PRODUCT APPROVED**  
as complying with the Florida  
Building Code  
NOA-No. 21-0722.04  
Approval Date 01/27/2022  
By *[Signature]*  
Miami-Dade Product Control

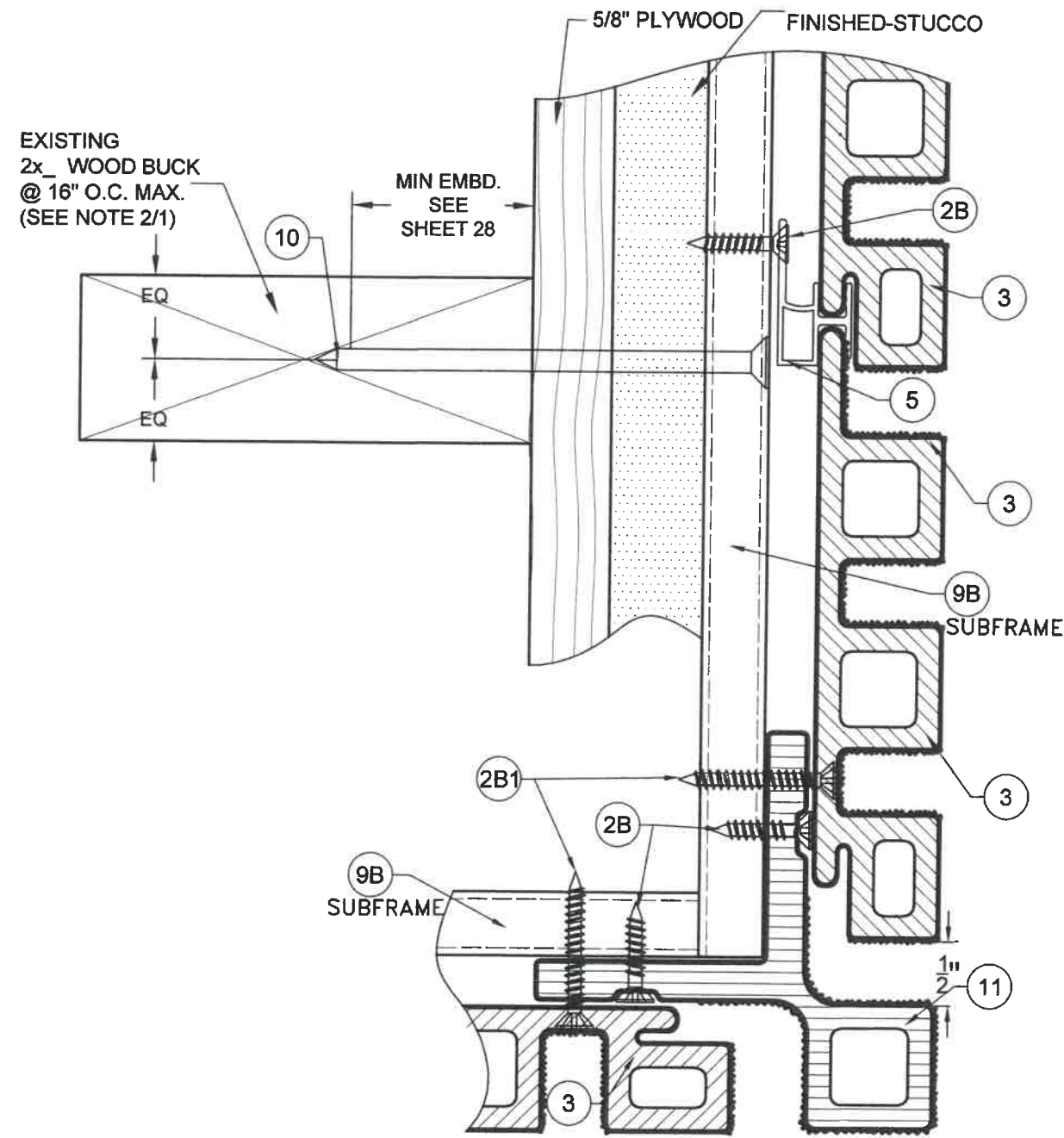
MIN EMBD.  
SEE  
SHEET 28

M.P. DRAWN BY: 11/13/19 DATE: 19-094 DRAWING No. SHEET 21 OF 28	
FLORIDA BUILDING CODE (HIGH VELOCITY HURRICANE ZONE)	
NEWTECHWOOD DECORATIVE EUROPEAN WALL CLADDING PANEL UH46 SYSTEM	
NEWTECHWOOD AMERICA INC. 15912 INTERNATIONAL PLAZA DRIVE, HOUSTON, TEXAS 77032	
REV. NO.	DATE
1	
2	
3	
4	
5	

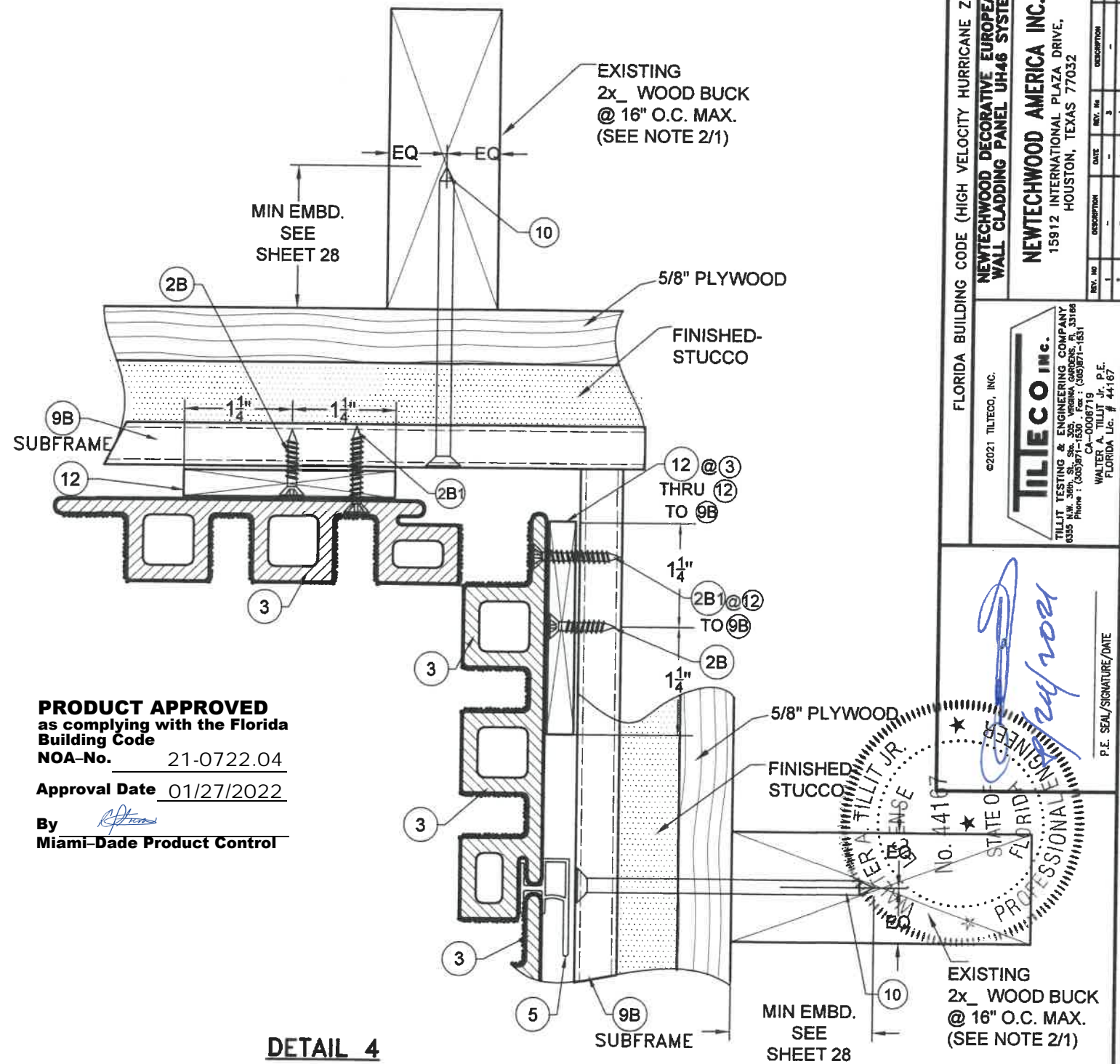
©2021 TILECO, INC.  
**TILECO INC.**  
TILLIT TESTING & ENGINEERING COMPANY  
8335 N.W. 36th St., Ste. 302, Virginia Gardens, FL 33166  
Phone: (305)971-1530 Fax: (305)971-1531  
WALTER A. TILLIT JR. P.E.  
FLORIDA Lic. # 44167







**DETAIL 5**  
N.T.S.

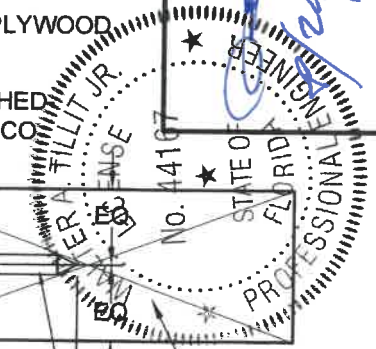


**DETAIL 4**  
N.T.S.

**PRODUCT APPROVED**  
as complying with the Florida  
Building Code  
NOA-No. 21-0722.04  
Approval Date 01/27/2022  
By *[Signature]*  
Miami-Dade Product Control

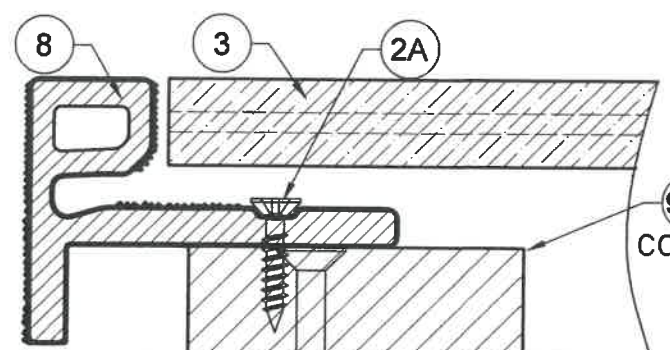
FLORIDA BUILDING CODE (HIGH VELOCITY HURRICANE ZONE)		
M.P. DRAWN BY:	11/13/19	
DATE:	19-094	
DRAWING No.:	SHEET 22 OF 28	
<b>NEWTechWOOD DECORATIVE EUROPEAN WALL CLADDING PANEL UH46 SYSTEM</b> <b>NEWTechWOOD AMERICA INC.</b> 15912 INTERNATIONAL PLAZA DRIVE, HOUSTON, TEXAS 77032		
REV. NO.	DESCRIPTION	DATE

©2021 TILTECO, INC.  
**TILTECO inc.**  
 TILIT TESTING & ENGINEERING COMPANY  
 6335 N.W. 30th St., Ste. 302, Virginia Gardens, Ft. Lauderdale, FL 33309  
 Phone: (561) 771-1650 Fax: (561) 771-1531  
 C.E. TILIT JR., P.E.  
 WALTER A. TILIT JR., P.E.  
 FLORIDA Lic. # 44167



**VERTICAL INSTALLATION W/ 9B INTERIOR & EXTERIOR CORNER  
WOOD FRAME BUILDINGS**



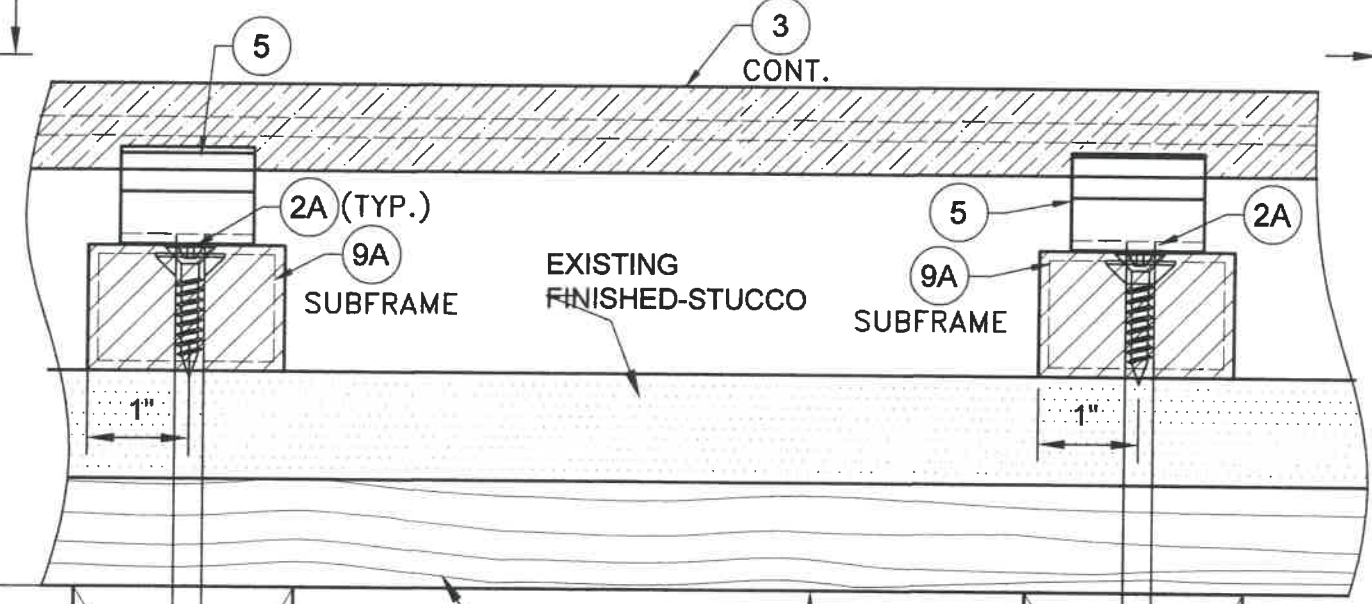


**DETAIL 1**  
N.T.S.

EXISTING FINISHED-STUCCO  
EXISTING 5/8" PLYWOOD

MIN EMBD. SEE SHEET 28

EXISTING 2x\_ WOOD BUCK @ 16" O.C. (SEE NOTE 2/1)



**DETAIL 2**  
N.T.S.

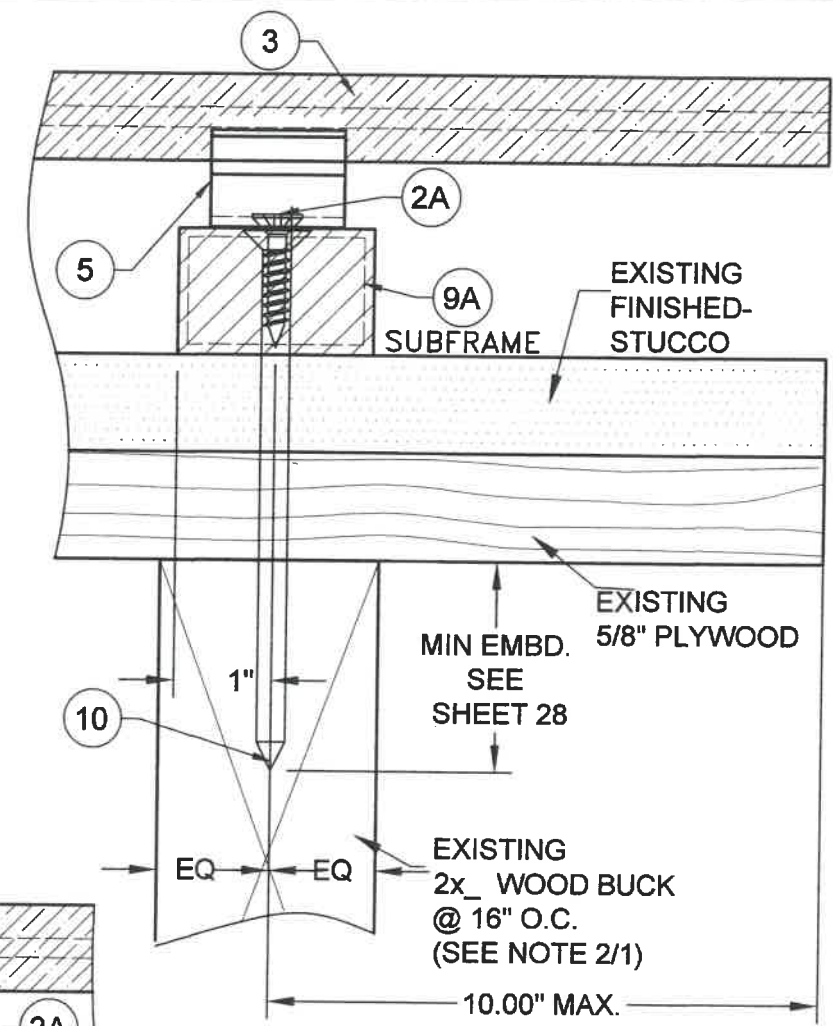
EXISTING 2x\_ WOOD BUCK @ 16" O.C. (SEE NOTE 2/1)

MIN EMBD. SEE SHEET 28

MIN EMBD. SEE SHEET 28

EXISTING 2x\_ WOOD BUCK @ 16" O.C. (SEE NOTE 2/1)

16.00" MAX.



**DETAIL 3**  
N.T.S.

MIN EMBD. SEE SHEET 28

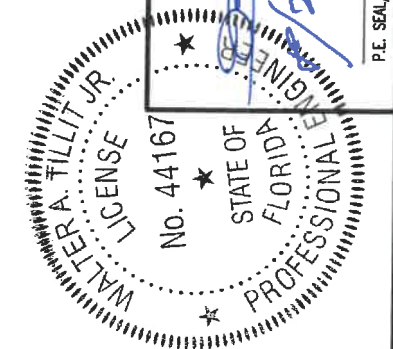
EXISTING 2x\_ WOOD BUCK @ 16" O.C. (SEE NOTE 2/1)

10.00" MAX.

**HORIZONTAL INSTALLATION W/ 9A WOOD FRAME BUILDINGS**

FLORIDA BUILDING CODE (HIGH VELOCITY HURRICANE ZONE)  
**NEWTechWOOD DECORATIVE EUROPEAN WALL GLASSING PANEL UH46 SYSTEM**  
**NEWTechWOOD AMERICA INC.**  
 15912 INTERNATIONAL PLAZA DRIVE,  
 HOUSTON, TEXAS 77032  
 11/13/19 DATE: 19-094 DRAWING No. SHEET 23 OF 28

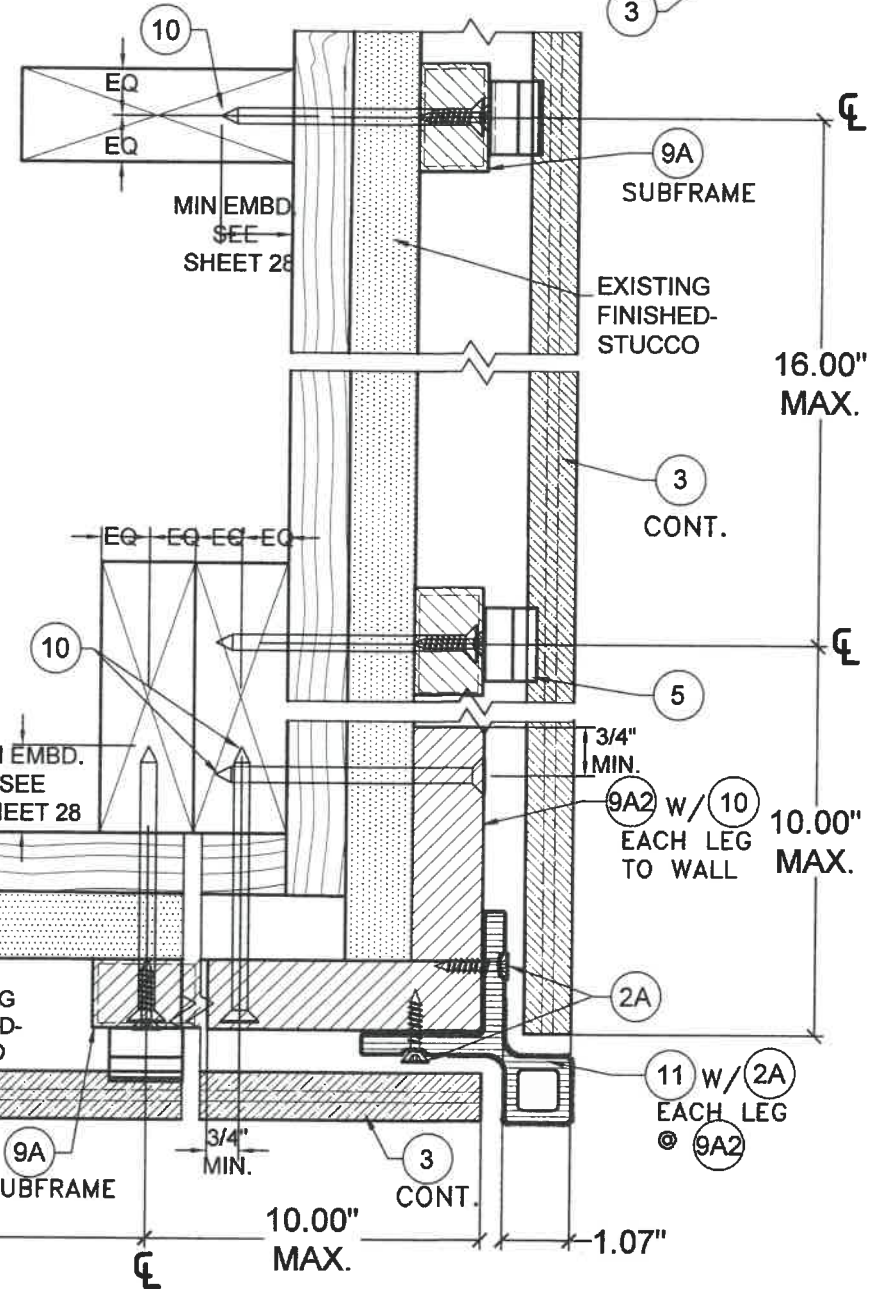
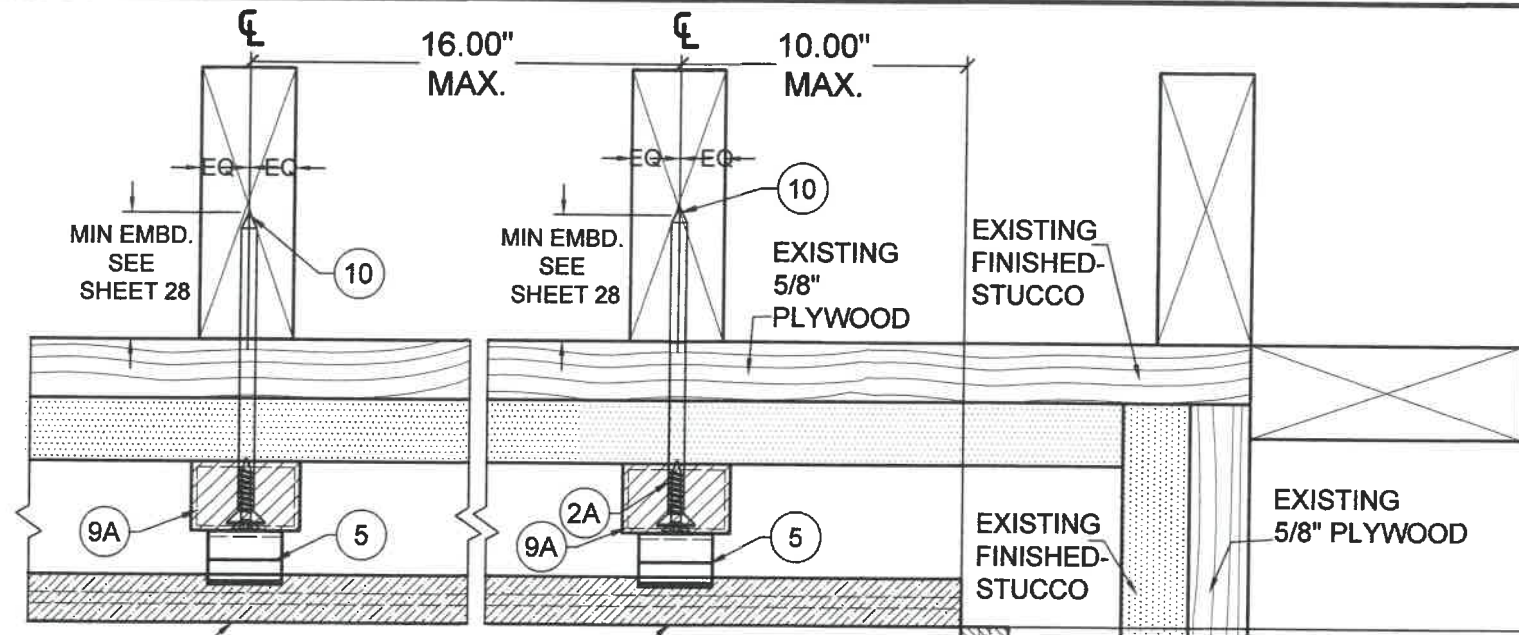
©2021 TILECO, INC.  
**TILECO inc.**  
 TILECO TESTING & ENGINEERING COMPANY  
 6355 N.W. 30th St., Ste. 305, Virginia Gardens, FL 33106  
 Phone: (659)971-1650 Fax: (659)971-1531  
 WALTER A. TILLIT JR., P.E.  
 FLORIDA Lic. # 44167



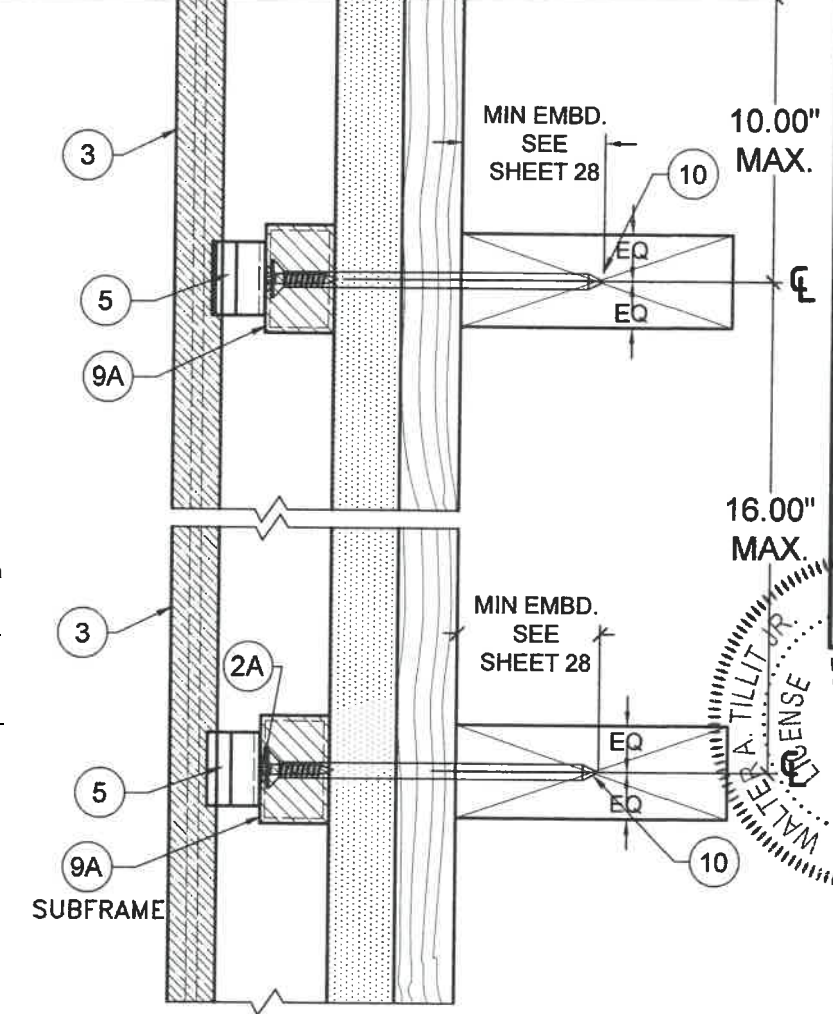
**PRODUCT APPROVED**  
 as complying with the Florida Building Code  
 NOA-No. 21-0722.04  
 Approval Date 01/27/2022  
 By *[Signature]*  
 Miami-Dade Product Control



**DETAIL 5**  
N.T.S.



**DETAIL 4**  
N.T.S.

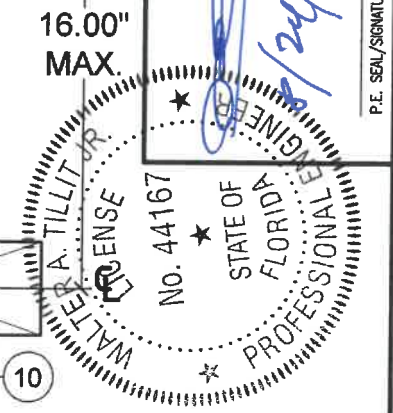


**PRODUCT APPROVED**  
as complying with the Florida  
Building Code  
NOA-No. 21-0722.04  
Approval Date 01/27/2022  
By *[Signature]*  
Miami-Dade Product Control

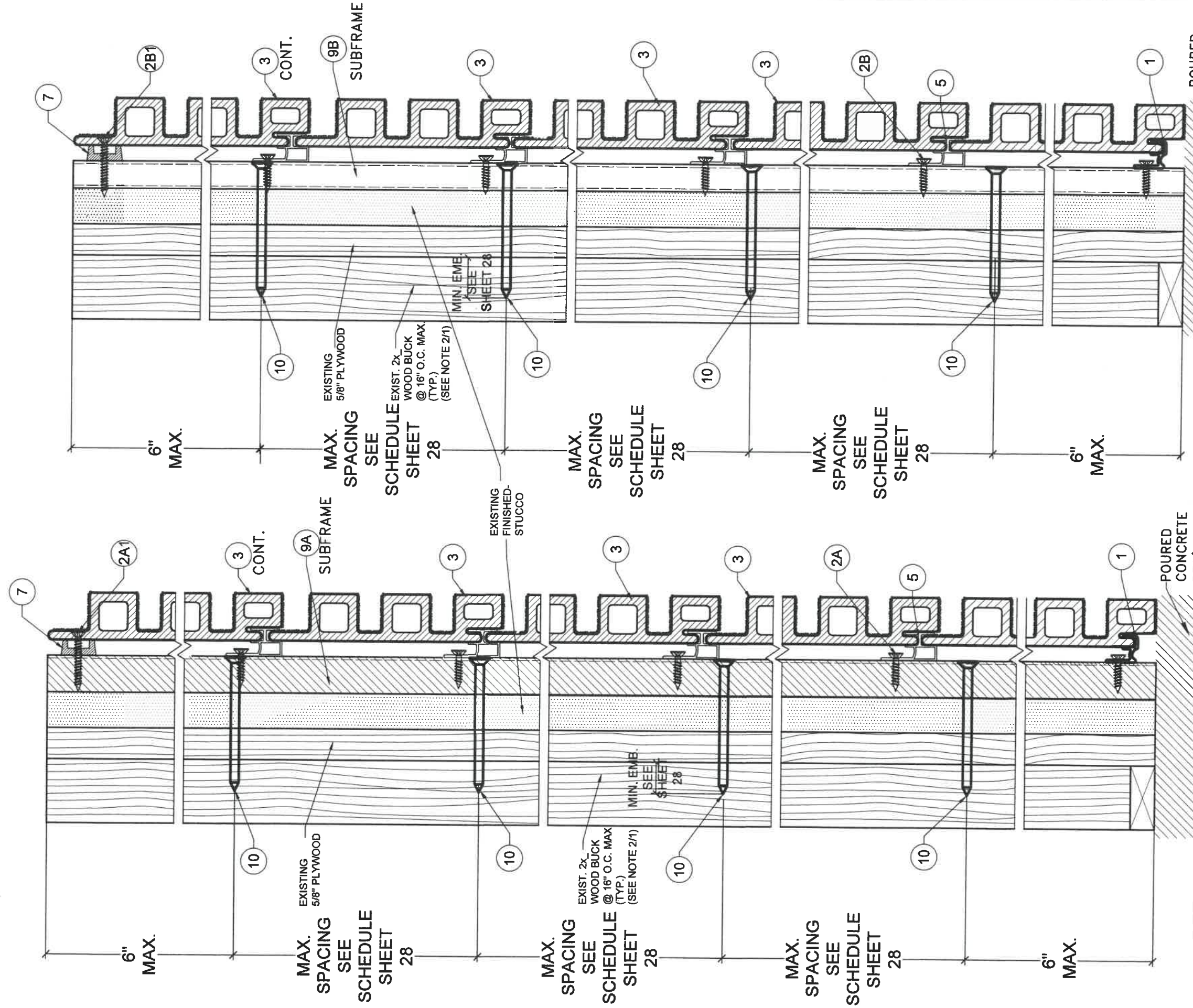
**HORIZONTAL INSTALLATION W/ 9A , 9A2  
INTERIOR & EXTERIOR CORNER  
WOOD FRAME BUILDINGS**

FLORIDA BUILDING CODE (HIGH VELOCITY HURRICANE ZONE)	
M.P. DRAWN BY:	11/13/19
DATE:	19-094
DRAWING NO.:	SHEET 24 OF 28
NEWTECHWOOD DECORATIVE EUROPEAN WALL CLADDING PANEL UH48 SYSTEM	
NEWTECHWOOD AMERICA INC. 15912 INTERNATIONAL PLAZA DRIVE, HOUSTON, TEXAS 77032	
REV. NO.	DESCRIPTION
1	
2	
3	
4	

©2021 TILECO, INC.  
**TILECO inc.**  
TILLIT TESTING & ENGINEERING COMPANY  
6335 N.W. 30th St., Ste. 202, Virginia GARDENS, FL 33166  
Phone: (305)971-1500 Fax: (305)971-1511  
WALTER A. TILLIT, P.E.  
FLORIDA Lic. # 44167



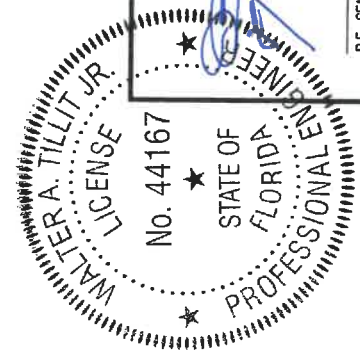




**DETAIL 6**  
**HORIZONTAL INSTALLATION W/ 9A**  
**WOOD FRAME BUILDINGS**  
**N.T.S**

**DETAIL 7**  
**HORIZONTAL INSTALLATION W/ 9B**  
**WOOD FRAME BUILDINGS**  
**N.T.S**

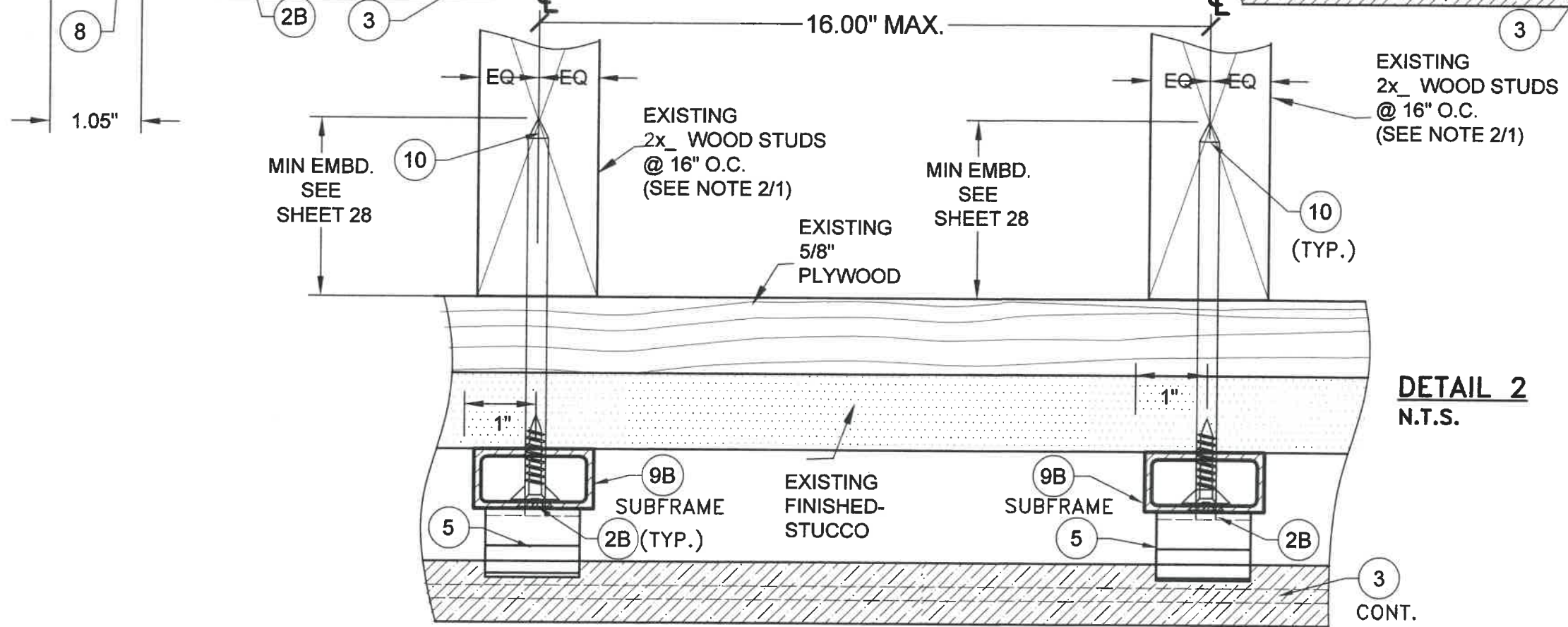
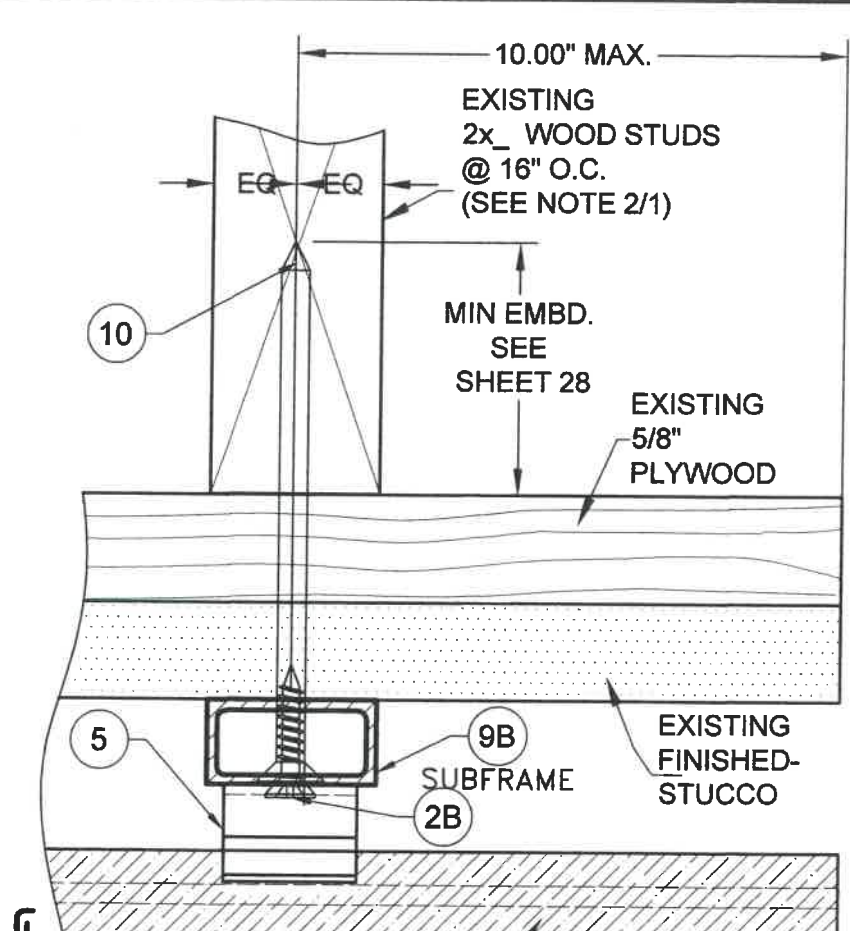
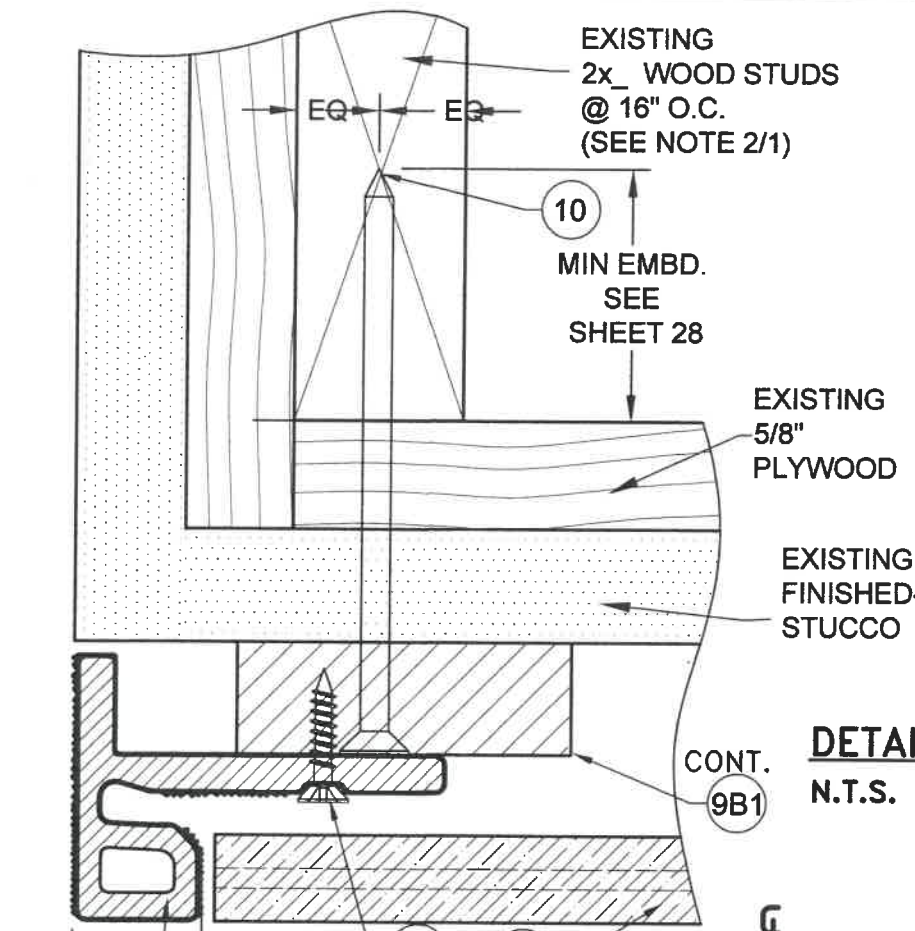
**PRODUCT APPROVED**  
 as complying with the Florida  
 Building Code  
 NOA-No. 21-0722.04  
 Approval Date 01/27/2022  
 By *[Signature]*  
 Miami-Dade Product Control



©2021 TILTECO, INC.  
**TILTECO INC.**  
 TILLIT TESTING & ENGINEERING COMPANY  
 6335 N.W. 36th St., Ste. 205, WILLOW GROVE, FL 33166  
 Phone: (305)971-1530 Fax: (305)971-1531  
 WALTER A. TILLITT JR. P.E.  
 FLORIDA Lic. # 44167

FLORIDA BUILDING CODE (HIGH VELOCITY HURRICANE ZONE)	
NEWTECHWOOD DECORATIVE EUROPEAN WALL CLADDING PANEL UH48 SYSTEM	M.P. DRAWN BY: 11/13/19
NEWTECHWOOD AMERICA INC. 15812 INTERNATIONAL PLAZA DRIVE, HOUSTON, TEXAS 77032	DATE: 19-094
REV. NO. 1	DESCRIPTION GENERAL
DATE 2/24/22	REV. NO. 3
DESCRIPTION	DATE
1	2
3	4
5	6
7	8
9	10
11	12
13	14
15	16
17	18
19	20
21	22
23	24
25	26
27	28





**HORIZONTAL INSTALLATION W/ 9B WOOD FRAME BUILDINGS**

FLORIDA BUILDING CODE (HIGH VELOCITY HURRICANE ZONE)

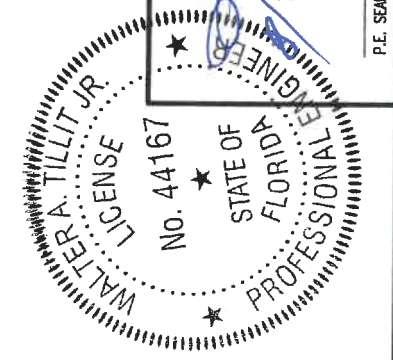
NEWTECHWOOD DECORATIVE EUROPEAN WALL CLADDING PANEL UH46 SYSTEM

NEWTECHWOOD AMERICA INC.  
15912 INTERNATIONAL PLAZA DRIVE,  
HOUSTON, TEXAS 77032

TILECO INC.  
TILLIT TESTING & ENGINEERING COMPANY  
8235 N.W. 39th St., Ste. 202, VIRGINIA GARDENS, FL 33166  
Phone : (305)871-1530 Fax : (305)871-1531  
WALTER A. TILLIT JR., P.E.  
FLORIDA Lic. # 44167

REV. NO.	DESCRIPTION	DATE	REV. NO.	DESCRIPTION	DATE
1			3		
2			4		

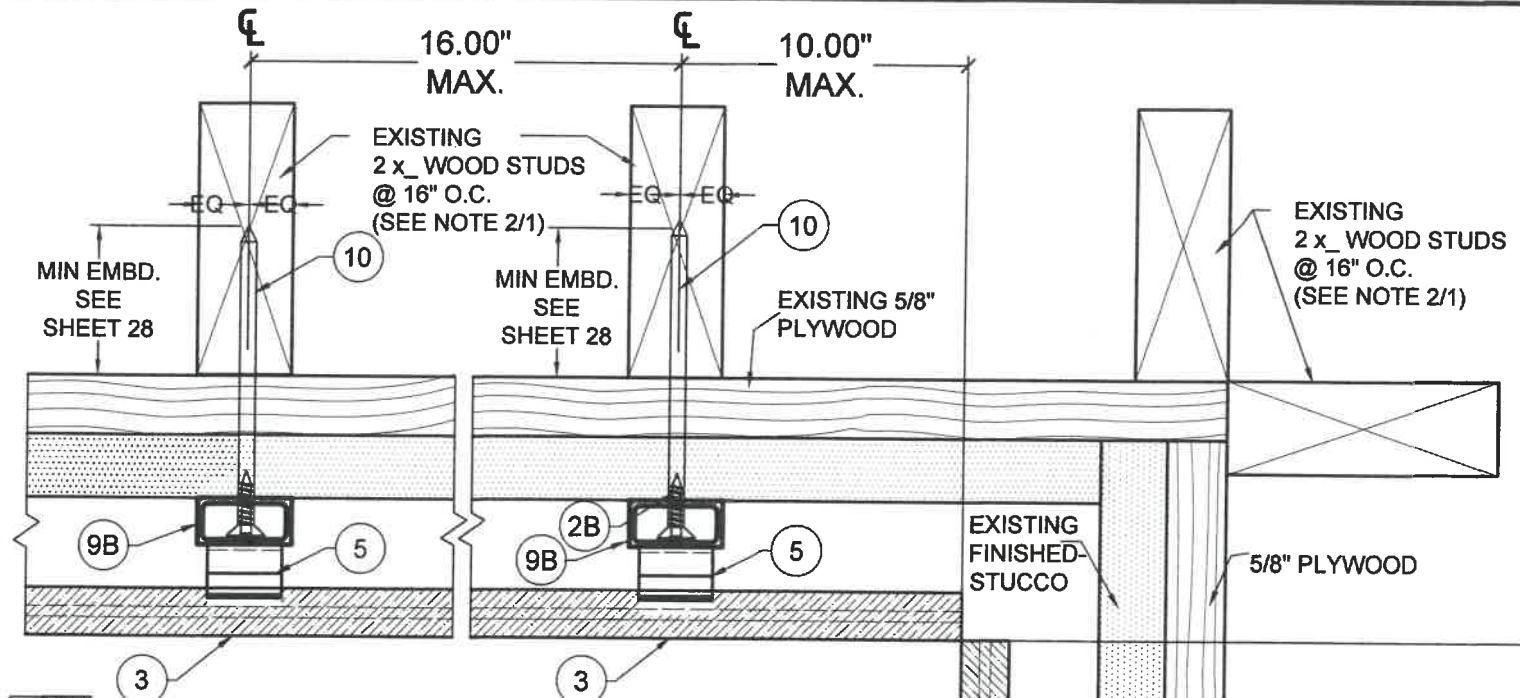
M.P. DRAWN BY: 11/13/19 DATE: 19-094 DRAWING NO. SHEET 26 OF 28



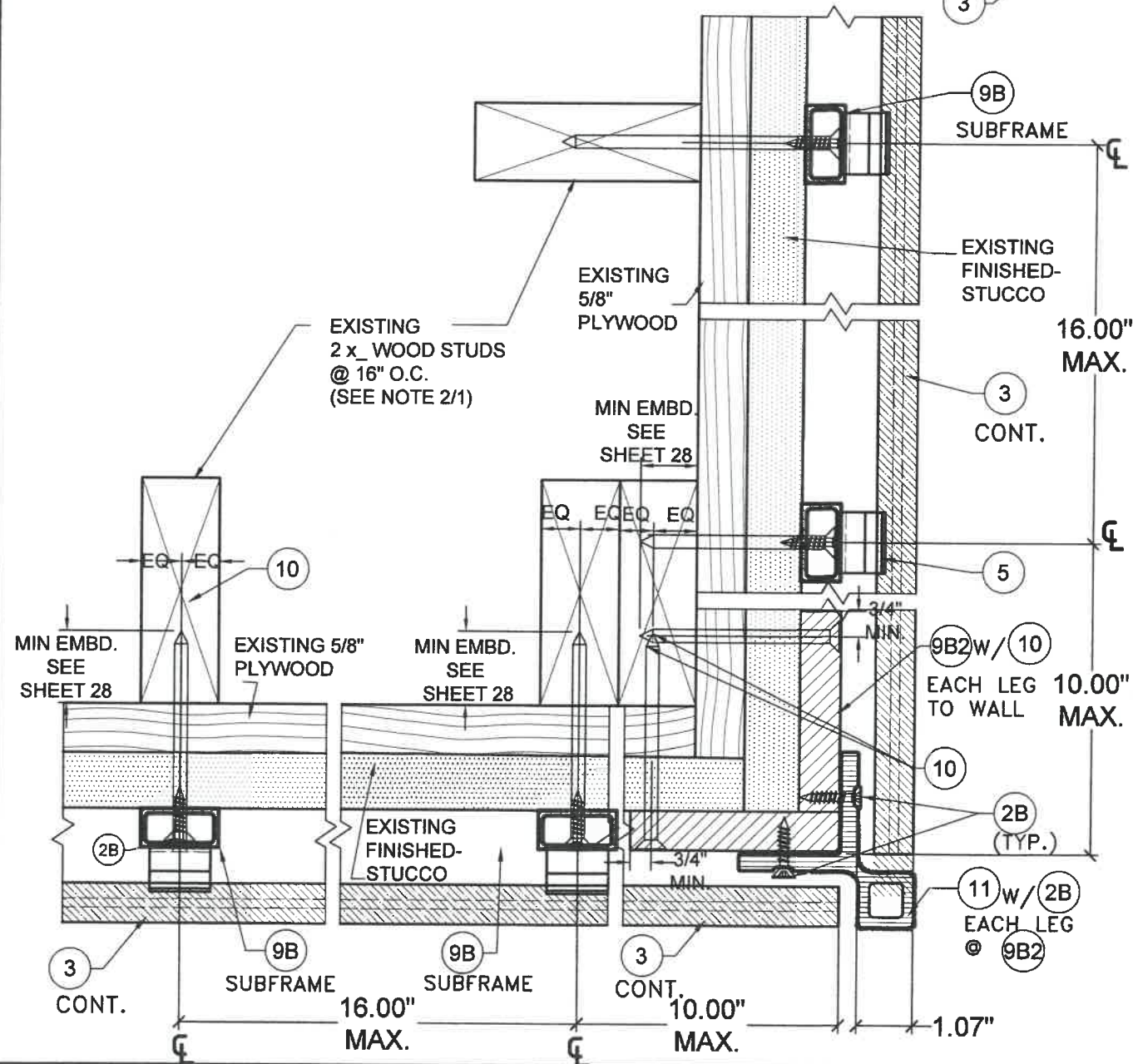
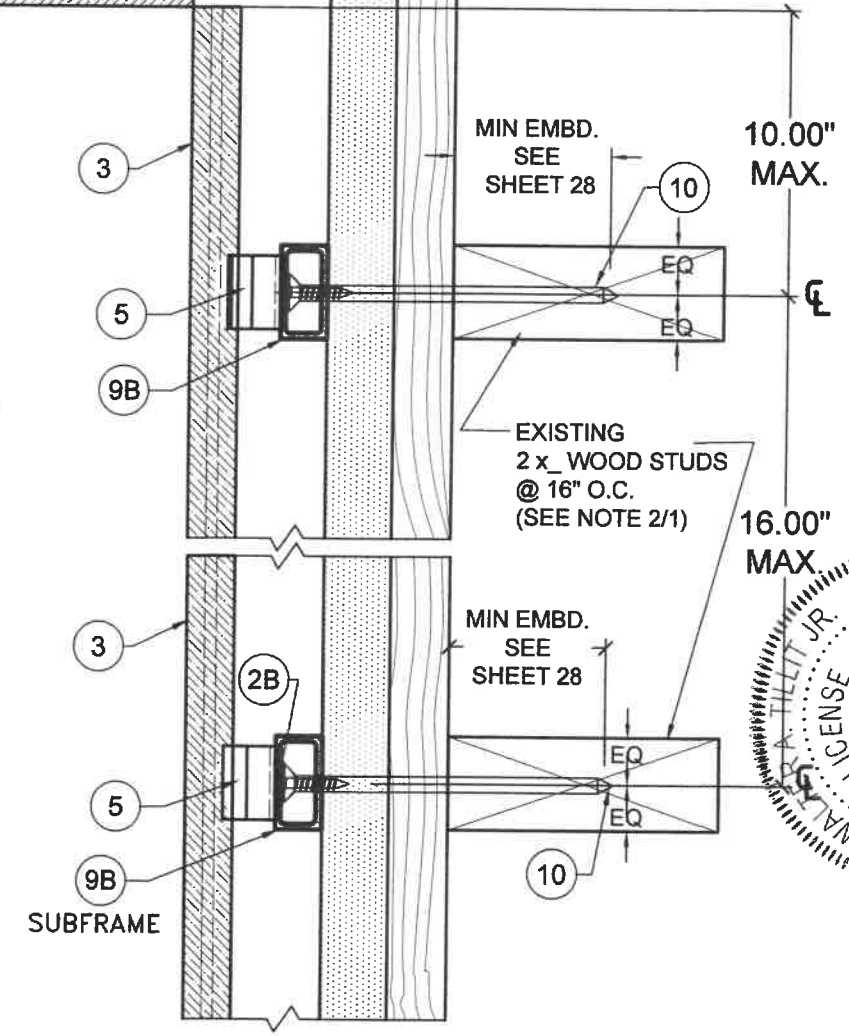
**PRODUCT APPROVED**  
as complying with the Florida Building Code  
NOA-No. 21-0722.04  
Approval Date 01/27/2022  
By *[Signature]*  
Miami-Dade Product Control



**DETAIL 5**  
N.T.S.



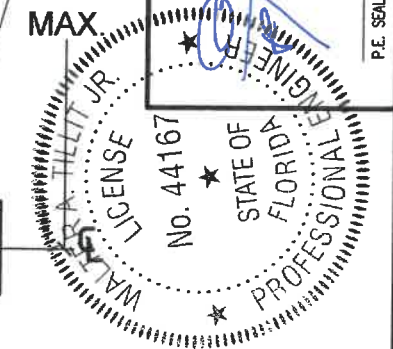
**DETAIL 4**  
N.T.S.



**PRODUCT APPROVED**  
as complying with the Florida  
Building Code  
NOA-No. 21-0722.04  
Approval Date 01/27/2022  
By *[Signature]*  
Miami-Dade Product Control

**HORIZONTAL INSTALLATION W/ 9B , 9B2  
INTERIOR & EXTERIOR CORNER  
WOOD FRAME BUILDINGS**

M.P. DRAWN BY: 11/13/19		DATE: 19-094	
DRAWING No. 19-094		DRAWING No. 19-094	
SHEET 27 OF 28		SHEET 27 OF 28	
FLORIDA BUILDING CODE (HIGH VELOCITY HURRICANE ZONE) NEWTECHWOOD DECORATIVE EUROPEAN WALL CLADDING PANEL UH46 SYSTEM NEWTECHWOOD AMERICA INC. 15912 INTERNATIONAL PLAZA DRIVE, HOUSTON, TEXAS 77032			
©2021 TILECO, INC. TILECO INC. TILIT TESTING & ENGINEERING COMPANY 6335 N.W. 36th St., 5th Floor, Virginia Gardens, FL 33166 Phone: (305) 971-1500 Fax: (305) 971-1531 WALTER TILIT JR. P.E. FLORIDA Lic. # 44167			



## ANCHOR SCHEDULE ANCHORING OF COMPONENTS

(9A) , (9B) , (9A1) , (9A2) , (9B1) , (9B2)

MAX. DESIGN PRESSURE RATING (psf)	ANCHOR TYPE	SUBSTRATE AT WALL						MAX. SUBSTRATE @ WALL					
		CONCRETE MIN. f'c=3000 psi AT 28 DAYS			CONCRETE BLOCK WALL ASTM C-90			WOOD* (VERTICAL SUBFRAME) MIN. G = 0.55			WOOD** (HORIZONTAL SUBFRAME) MIN. G = 0.55		
		MIN. E.D.	MIN. EMB.	MAX. SPC.	MIN. E.D.	MIN. EMB.	MAX. SPC.	MIN. E.D.	MIN. EMB.	MAX. SPC.	MIN. E.D.	MIN. EMB.	MAX. SPC.
+150,-150	(10)	1"	1 3/4"	12" O.C.	1"	1 1/4"	6" O.C.	3/4"	1"	12" O.C.	-	-	-
+112.5 , -112.5	(10)	1"	1 3/4"	12" O.C.	1"	1 1/4"	6" O.C.	3/4"	1"	12" O.C.	3/4"	1"	16" O.C.

NOTE: MIN. E.D. & EMBEDMENT ARE BEYOND ANY FINISH MATERIAL AT EXISTING WALL (SEE NOTE 2/1)

**\* - VALID ONLY FOR VERTICALLY INSTALLED SUBFRAME**

- MUST COINCIDE WITH LOCATION OF EXISTING VERTICAL 2X WOOD STUDS SPACED @ 16" O.C @ EXISTING WALL (SEE NOTE 2/1).
- MAX. 12" O.C INDICATED SPACING IS VERTICAL SPACING ALONG EXISTING STUD'S HEIGHT.
- MIN. 1" EMBEDMENT IS AT EXISTING VERTICAL 2X WOOD STUD BEYOND ANY EXISTING SHEATHING OR WALL FINISH. SHEATHING MUST COMPLY WITH SECTIONS 1626.4(2), 1404.2 OF THE FLORIDA BUILDING CODE.
- FASTENER (10) MUST BE INSTALLED AT MIDWIDTH OF EXISTING VERTICAL 2X STUD.

**\*\* VALID ONLY FOR HORIZONTALLY INSTALLED SUBFRAME**

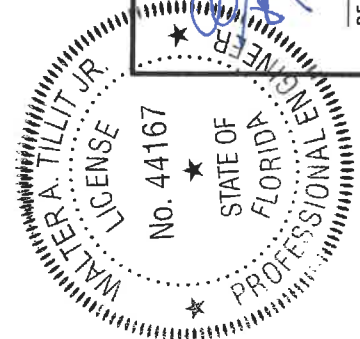
- MUST BE ANCHORED AT EXISTING 16" O.C VERTICAL 2X WOOD STUDS @ EXISTING WALL (SEE NOTE 2/1).
- MIN. 1" EMBEDMENT IS AT EXISTING VERTICAL 2X WOOD STUD BEYOND ANY EXISTING SHEATHING OR WALL FINISH.
- SHEATHING MUST COMPLY WITH SECTIONS 1626.4(2), 1404.2 OF THE FLORIDA BUILDING CODE.
- FASTENER (10) MUST BE INSTALLED AT MIDWIDTH OF EXISTING VERTICAL 2X STUD.

**PRODUCT APPROVED**  
as complying with the Florida Building Code

NOA-No. 21-0722.04

Approval Date 01/27/2022

By   
Miami-Dade Product Control



TILECO inc.  
TILLIT TESTING & ENGINEERING COMPANY  
6355 N.W. 36th St., Ste. 200, Virginia Gardens, FL 33166  
Phone: (305)871-1530 Fax: (305)871-1531  
WALTER A. TILLIT JR. P.E.  
FLORIDA Lic. # 44167

FLORIDA BUILDING CODE (HIGH VELOCITY HURRICANE ZONE)  
NEWTECHWOOD DECORATIVE EUROPEAN WALL CLADDING PANEL UH46 SYSTEM  
NEWTECHWOOD AMERICA INC.  
15912 INTERNATIONAL PLAZA DRIVE,  
HOUSTON, TEXAS 77032

M.P. DRAWN BY:	11/13/19
DATE:	19-094
DRAWING NO.	SHEET 28 OF 28

REV. NO.	DESCRIPTION	DATE	REV. NO.	DESCRIPTION	DATE
1	GENERAL	5/24/21	3		
2			4		